

Innova-Switch™ Series

615 Series Mass Flow/ Level Switch

Instruction Manual

Part Number: Im-615, Rev. B, July 2010



CORPORATE HEADQUARTERS

5 Harris Court, Building L, Monterey, CA 93940 U.S.A.
Phone (831) 373-0200 Toll Free (800) 866-0200 Fax (831) 373-4402

www.sierrainstruments.com

EUROPEAN HEADQUARTERS

Bijlmansweid 2, 1934RE Egmond aan den Hoef
The Netherlands
Phone +31 72 5071400 Fax +31 72 5071401

ASIA-PACIFIC HEADQUARTERS

RM. 618, Tomson Centre, Bldg. A, 188 Zhang Yang Road
Pu Dong New District, Shanghai, P. R. China
Phone +8621 5879 8522 Fax +8621 5879 8586

© COPYRIGHT SIERRA INSTRUMENTS 2010

No part of this publication may be copied or distributed, transmitted, transcribed, stored in a retrieval system, or translated into any human or computer language, in any form or by any means, electronic, mechanical, manual, or otherwise, or disclosed to third parties without the express written permission of Sierra Instruments. The information contained in this manual is subject to change without notice.

TRADEMARKS

Innova-Switch™ is a registered trademark of Sierra Instruments, Inc. Other product and company names listed in this manual are trademarks or trade names of their respective manufacturers.

IMPORTANT CUSTOMER NOTICE

Before installing and operating the flow meter, please read this manual carefully and follow its instructions.

- Sierra has verified the conformity between the contents in this manual and the hardware and software described. However, errors may still exist. We regularly review the materials covered in this manual and correct errors with revisions. Any suggestions for improvement will be appreciated.
- Go to www.sierrainstruments.com/products/downloads.html for a most current electronic version of this manual.
- We reserve the right to change the content of this manual without prior notification.
- If you have any questions or problems regarding this manual, please contact Sierra's Customer Service Department:

Toll Free: 800-866-0200 Phone: +831-373-0200 Fax: 831-373-4402

Email: service@sierrainstruments.com

WARNINGS IN THIS MANUAL

Caution and warning statements are used throughout this book to draw your attention to important information.



WARNINGS

"Warning" indicates that ignoring the relevant requirements or precautions may result in personal injury or flow meter damage.



NOTES

"Note" indicates that ignoring the relevant requirements or precautions may result in flow meter damage or malfunction.

BEFORE STARTING

Sierra Instruments appreciates your choosing our product for your liquid level or liquid/gas flow switching application. We are committed to providing reliable, quality instrumentation to our customers.

To ensure the maximum and intended benefit of this instrument, we encourage you to read this brief operation and maintenance manual in its entirety prior to unpacking and installing the unit.



The following precautions should be noted immediately:

- φ **WHEN INSTALLING YOUR SIERRA INNOVA-SWITCH™ INTO A PIPE OR VESSEL USE A 1 1/8 INCH (28.575mm) OPEN-END OR ADJUSTABLE WRENCH TO TIGHTEN AT THE HEX FLATS OF THE MNPT OF A STANDARD SWITCH. (IF YOU HAVE A NON-STANDARD SWITCH AN ALTERNATE SIZE WRENCH MAY BE REQUIRED). DO NOT USE THE INSTRUMENT HEAD TO TIGHTEN THE SWITCH TO THE MOUNTING PORT. ROTATION OF THE INSTRUMENT HEAD WITH RESPECT TO THE SENSOR BODY CAN CAUSE INTERNAL WIRING DAMAGE (SEE FIGURES 1).**
- φ **THE SWITCH BODY MUST BE ORIENTED TO HAVE THE TWIN SENSORS PARALLEL TO THE LEVEL BEING DETECTED WHEN THE SENSOR IS INSTALLED HORIZONTALLY FOR POINT LEVEL APPLICATIONS. LIKEWISE, FOR FLOW APPLICATIONS, THE SWITCH BODY MUST BE ORIENTED TO HAVE THE TWIN SENSORS PERPENDICULAR TO THE FLOW BEING DETECTED. DUE TO THE PIPE THREAD MOUNTING, IT MAY BE NECESSARY TO MAKE A TRIAL FIT, ADD OR REMOVE TEFLON TAPE OR OTHER PIPE THREAD SEALANT, AND REINSTALL TO ACHIEVE A SATISFACTORY SEAL WITH THE SENSORS PROPERLY ORIENTED. FOR VERTICAL INSTALLATION OF SENSORS FOR POINT LEVEL DETECTION THE ORIENTATION MAKES NO DIFFERENCE. PROPER ORIENTATION IS MARKED ON THE SWITCH BODY FOR REFERENCE (SEE FIGURE 5).**
- φ **A GROUND WIRE MUST BE ATTACHED TO THE GROUND SCREW LOCATED INSIDE THE INSTRUMENT ENCLOSURE FOR PROPER OPERATION. FOR CENELEC/CE OPTION THE GROUND SCREW IS LOCATED OUTSIDE THE BODY OF THE INSTRUMENT ENCLOSURE (SEE FIGURE 6).**
- φ **BE SURE TO APPLY THE PROPER VOLTAGE AS CONFIGURED AT THE FACTORY. DO NOT APPLY 115 VAC TO 24 VDC VERSIONS OR 24 VDC TO 115 VAC VERSIONS. (LIKEWISE 230 VAC).**
- φ **FOR OPTIMUM OPERATION, CALIBRATION MUST BE ACCOMPLISHED AT ACTUAL PROCESS TEMPERATURE AND PRESSURE CONDITIONS IN GASES AND AT ACTUAL PROCESS TEMPERATURE CONDITIONS IN LIQUIDS.**
- φ **TO ENSURE ACCURATE CALIBRATION AND AVOID SET POINT DRIFT, IT IS IMPERATIVE THAT A MINIMUM OF 10 MINUTE WAIT BE OBSERVED AFTER POWER IS APPLIED TO ALLOW THE SENSOR TO WARM-UP TO THE AMBIENT FLUID TEMPERATURE.**

LIKEWISE, WHEN ADJUSTING THE ZERO, SPAN, AND SET POINTS POTS, A MINIMUM

OF 30 SECONDS SHOULD BE OBSERVED TO ALLOW FOR STABILIZATION OF TEMPERATURE.

φ **DO NOT SANDBLAST OR ABRASIVE CLEAN THE SENSING PROBES. THE SENSING PROBES COULD BE DAMAGED BY ABRASIVES.**

■ **ALL DIMENSIONS GIVEN IN THIS MANUAL ARE IN INCHES (AND MILLIMETERS).**

If you have any questions prior to or during installation and calibration, please do not hesitate to call the factory for assistance. We want to ensure the very best possible installation and operational results for your benefit.



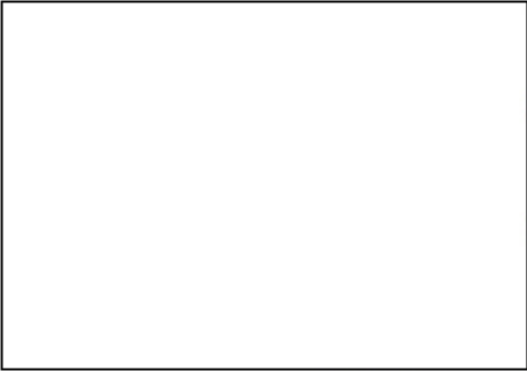

NOTICE

This manual covers the following model numbers:

Innova-Switch™ Series Models		615- FS4200	615-LS3200
Agency Approvals	Explosion-Proof rating	Mass Flow Switch	Point Level Switch
CENELEC European	EEx d IIB T4 (Killark Enclosure) EEx d IIC T4 (Akron Electric Enclosure) See Figure 1A and 1B	FS42CN	LS32CN
CSA Canadian Standards	T4A Class I, Group B,C,D Class II, Group E,F,G (Both Akron Electric and Killark)	FS42CS	LS32CS
Non-Approved	Non-Explosion Proof	FS42NX	LS32NX
Switch Kits (No Enclosures)	Not Rated	FS42SK	LS32SK
(Ref. Section CE 3.2.3 wiring)	EMC Directive: 89/336/EEC	Option – CE	Option -CE

SPECIAL NOTICE

The electronic assemblies contained in the Innova-Switch™ models are configured for specific voltages and have specific modifications to accommodate the various agency approvals. When ordering spare electronics, replacements, or exchanges in the field please ensure you identify the specific configuration you have by noting the boxes marked on the transformer configuration tag.

PN 200203		
		24 VAC <input type="checkbox"/>
		24 VDC <input type="checkbox"/>
CE <input type="checkbox"/>		
SN <input type="text"/>		220 VAC <input type="checkbox"/>

***WARNING***

THE WETTED SENSOR OF THE SWITCH IS OF AN ALL WELDED CONSTRUCTION CREATING A PRESSURE BOUNDARY FROM THE PROCESS FLUID (LIQUID OR GAS). ANY BREACH OF THIS BOUNDARY THROUGH CORROSION, MISTREATMENT, OR MISAPPLICATION COULD ALLOW THE PROCESS FLUID TO ENTER THE ENCLOSURE OF THE UNIT.

PROCEED WITH CAUTION WHEN OPENING THE ENCLOSURE AFTER A BREACH OF THE PRESSURE BOUNDARY TO AVOID CONTACT WITH ANY PROCESS FLUIDS THAT MAYBE CONTAINED WITHIN THE ENCLOSURE.

CAUTION

IF THE FLUID PROCESS TEMPERATURE EXCEEDS 40 DEG C, THIS INSTRUMENT CANNOT BE USED IN AN EXPLOSION PROOF APPLICATION UNLESS THE IGNITION TEMPERATURE OF THE FLUID ATMOSPHERE IS A MINIMUM OF 80 DEG C HIGHER THAN THE PROCESS TEMPERATURE.

TABLE OF CONTENTS

1.0	INTRODUCTION
2.0	DESCRIPTION
2.1	LEVEL SWITCHING
2.2	FLOW SWITCHING
3.0	INSTALLATION
3.1	MECHANICAL INSTALLATION
3.2	ELECTRICAL INSTALLATION
3.2.1	LOCAL ELECTRONICS (LE OPTION/STANDARD)
3.2.2	REMOTE ELECTRONICS (RE) OPTION
3.2.3	CE OPTION FILTER BOARD CONNECTOR PLATE WIRING (CE OPTION)
4.0	OPERATION AND CALIBRATION OF THE INNOVA-SWITCH™ FOR FLOW APPLICATIONS
4.1	PRE-OPERATIONAL CHECKS
4.2	L.E.D. AND RELAY STATUS LOGIC (FAIL-SAFE)
4.3	CALIBRATION – FLOW
5.0	OPERATION AND CALIBRATION OF THE INNOVA-SWITCH™ FOR POINT LEVEL APPLICATIONS
5.1	PRE-OPERATIONAL CHECKS
5.2	L.E.D. AND RELAY STATUS LOGIC (FAIL-SAFE)
5.3	CALIBRATION – LEVEL
6.0	MAINTENANCE AND TROUBLE SHOOTING
6.1	CLEANING
6.2	TROUBLE SHOOTING
6.2.1	POWER AND CONTINUITY VERIFICATION
6.2.2	SENSOR/ELECTRONICS FUNCTIONALITY VERIFICATION
6.2.3	SET POINT DRIFT
7.0	SPECIFICATIONS
8.0	WARRANTY AND SERVICE
8.1	WARRANTY
8.2	SERVICE

9.0 APPENDIX

9.1 VOLUME FLOW CONVERSION CHART

9.2 FLOW CONVERSION CHART

9.3 FLOW OF WATER THROUGH SCHEDULE 40 STEEL PIPE (*AVAILABLE IN PRINTED MANUAL ONLY*)

10 OPTIONS

10.1 LIVETAP (LT)

10.2 VARIABLE INSERTION (VI)

10.3 SANITARY (3A1)

10.4 LOW FLOW SENSOR (LFS)

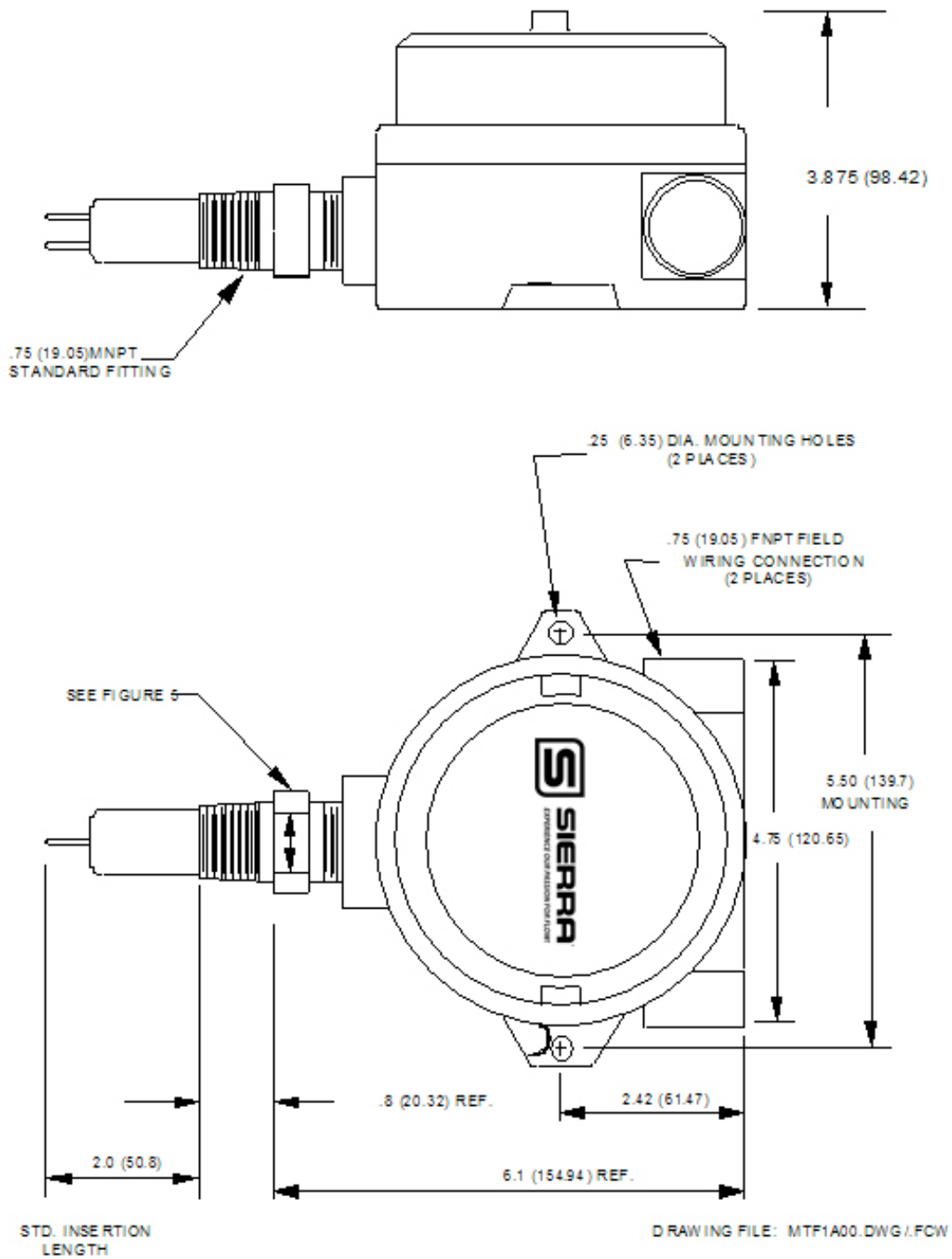
1.0 INTRODUCTION

The Sierra Innova-Switch™ is the state-of-the-art in gaseous and liquid flow switching or liquid level control. Flow or level detection is accomplished by using a high resolution **thermal differential** technique. The sensor wetted parts are of durable 316L series stainless steel, all welded construction with no moving parts. The switch is easy to install and adjust, giving reliable, low maintenance performance in the most demanding applications.

2.0 DESCRIPTION

The Innova-Switch™ uses a **thermal differential** technique to sense changes in the heat transfer characteristics of a media. Figures 1A and 1B show the outline of the Innova-Switch™. The sensor consists of a pair of matched, Resistance Temperature Detectors (RTD's) encased in twin 316L series stainless steel tubes. One RTD is self-heated using a constant DC current. The other RTD is unheated to provide an accurate process temperature reference. The **thermal differential** created between the heated and reference RTD pair is a function of the density and/or velocity of the media with which the sensor is in contact. Other physical properties may have a secondary effect as well. The differential is greatest at a no flow (or dry) condition and decreases as the rate of flow increases (or as a liquid quenches the sensor/wet condition).

The Sierra Instruments' sensor excitation method relies on constant current to the heated and reference sensors. Thus power to the heated sensor is not constant but changes linearly with temperature as the sensor resistance changes. Temperature compensation is accomplished by using the amplified reference sensor voltage which also changes linearly with temperature, as a dynamic reference. During calibration dry/no flow and wet/full flow conditions are impressed across the trip point potentiometer. Since this reference is not fixed but is set with respect to the reference sensor voltage, as temperature changes the trip point potentiometer voltage changes with temperature exactly the same as that of the heated sensor voltage with which it is being compared. Thus full temperature compensation is achieved with non constant power.



DIMENSIONS IN INCHES (MILLIMETERS)

FIGURE 1A INNOVA-SWITCH OUTLINE DIAGRAM STANDARD 2.0 INCH INSERTION (KILLARK ENCLOSURE – NEMA 4-EEExd 11B, T4) (MTF1A00.DWG/.FCW)

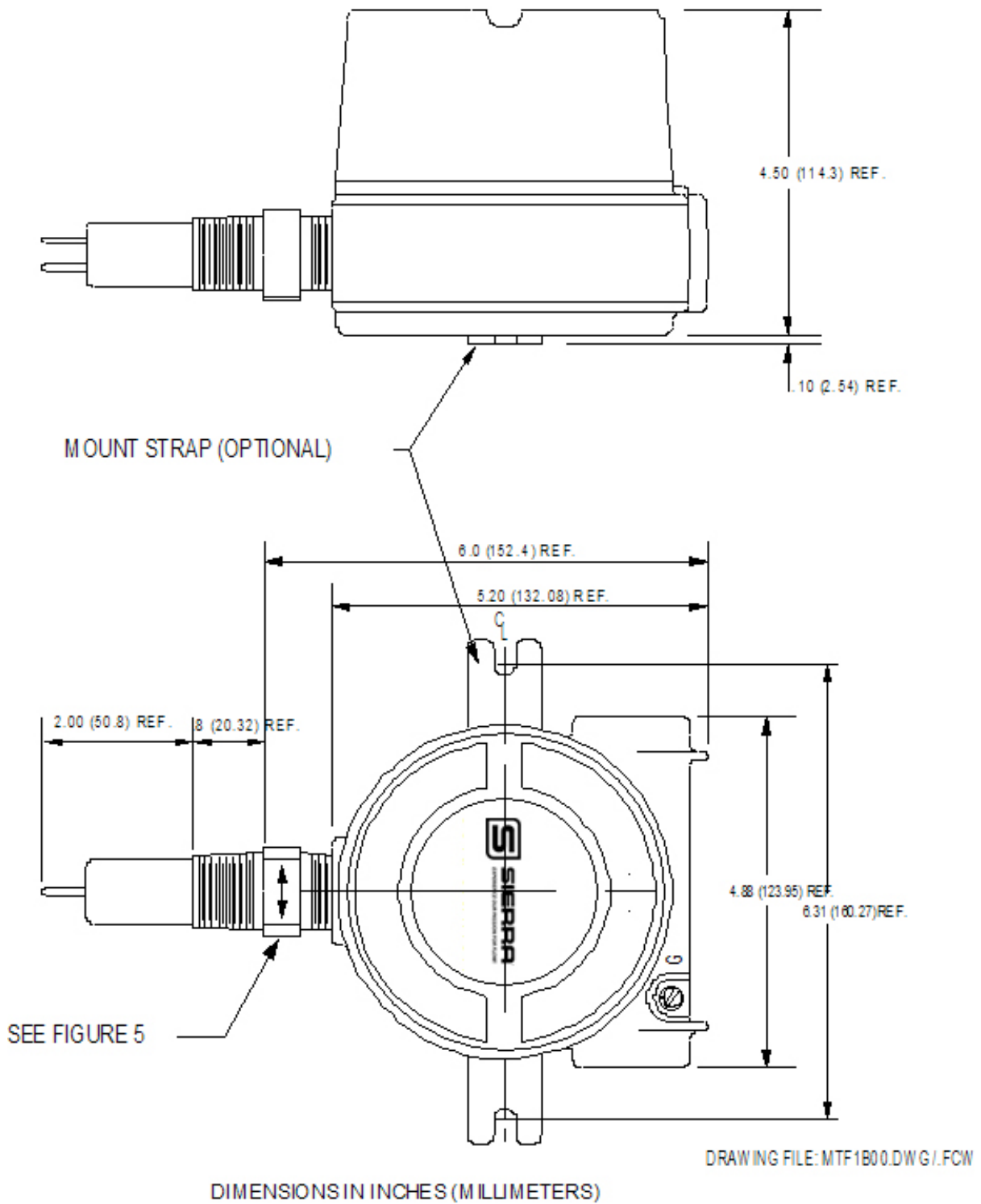
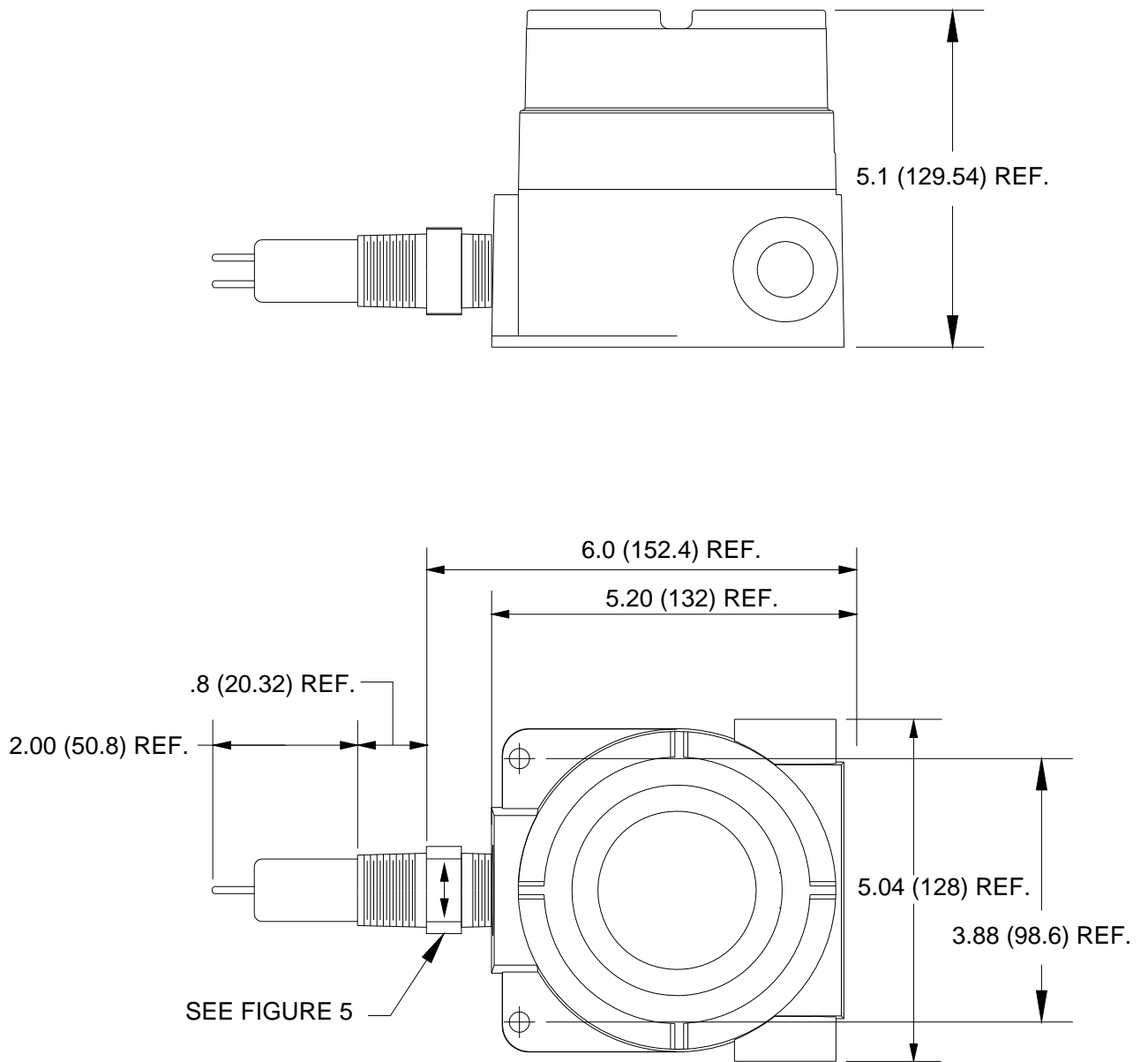


FIGURE 1B INNOVA-SWITCH 615 SERIES OUTLINE DIAGRAM STANDARD 2.0 INCH INSERTION (AKRON ELECTRIC ENCLOSURE – NEMA 4X – EexdIIC, T4) (MTF1B00.DWG/.FCW)



DIMENSIONS IN INCHES (MILLIMETERS)

DRAWING FILE: CIXI.DWG

FIGURE 1C

INNOVA-SWITCH 615 SERIES OUTLINE DIAGRAM STANDARD 2.0 INCH INSERTION (CIXI ENCLOSURE – NEMA 4X)(CIXI.DWG)

2.1 LEVEL SWITCHING

The thermal differential created between the heated and reference unheated RTD pair is a function of the liquid or gas medium with which the sensor is in contact.

The point level measurement application uses the heat transfer differences between two media to detect liquid level. For example, air has a relatively poor heat transfer characteristic so the heated sensor will become relatively hot. If the sensor is then immersed in water, the relatively high heat transfer characteristics of water will cool the heated RTD surface causing a decrease in the signal output.

This same rational applies for any two media in contact with the sensor. Each medium will have its own characteristic heat transfer properties. As long as there is a reasonable difference in the heat transfer properties between the two media, the Innova-Switch™ can discriminate between them. Figure 2A shows the relative signal output of the Innova-Switch™ sensor to a range of different media. The maximum difference in output occurs between vacuum and liquid metal. However, a significant difference occurs between water and hydrocarbon liquids so the Innova-Switch™ can be used to detect a water/hydrocarbon liquid-liquid interface. In general, the interface between any two media with differing heat transfer properties can be detected.

Thermal Differential Theory of Operation

Liquid level



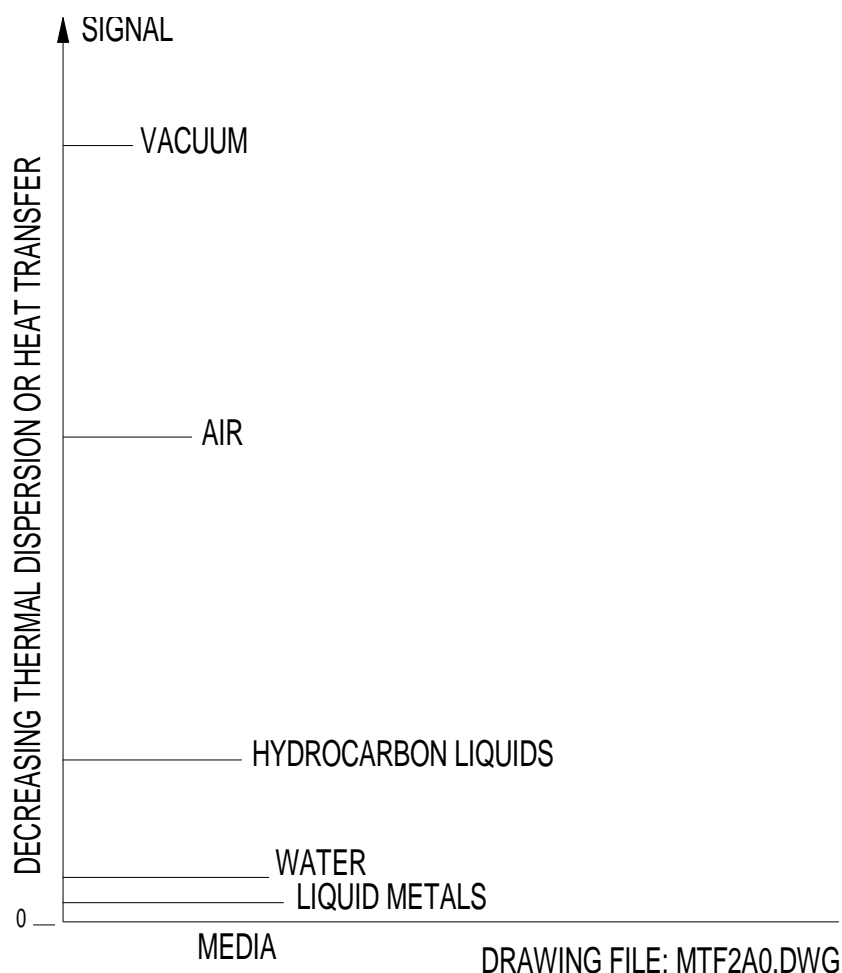
Note: Probe tips contain matched RTD's one of which is self-heated with about 400mw of power. The other provides temperature compensation



The heated RTD responds to the heat transfer coefficient of the media with which it is in contact. Gases with low heat transfer result in a high differential temperature between the heated and reference tips

When the heated tip makes contact with a liquid with higher heat transfer the differential temperature drops and the lower differential results in a switch trip to indicate liquid

FIGURE 2A: RELATIVE CHANGE IN RESPONSE OF A HEATED RTD IMMERSSED IN VARIOUS MEDIA

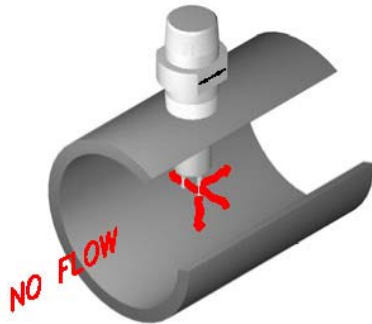


2.2 FLOW SWITCHING

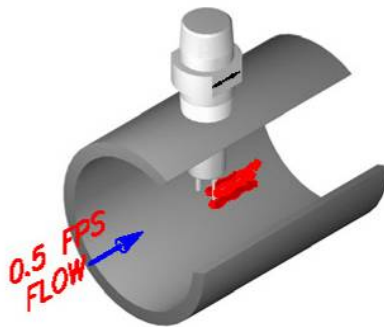
Most mass flow monitoring techniques calculate mass indirectly by measuring volumetric flow such as gallons per minute or cubic cm per second, then either measure density separately or calculate it from temperature measurements of the fluid and, finally, combine density and volumetric flow to obtain mass flow. The Sierra thermal-differential technique is one of two methods that directly measure the mass flow. For ease of comparison most flow applications are presented in terms of velocity which is independent of the flow cross sectional area (i.e. feet per second (FPS)). The true mass flow equivalent would be FPS multiplied by density but for simplicity FPS is used and density effects are ignored. This is normally not critical for flow switching applications.

When the sensor is inserted into a liquid or gas the heated RTD is strongly affected by the velocity of the medium. Flow past the heated RTD changes the heat transferred from the surface of the sensor. This cooling effect reduces the temperature of the sensor. The Innova-Switch™ compares this change to a preset flow trip point to switch the output. Figure 2B shows the model 615 signal change vs. flow rate for air, light hydrocarbon liquids, and water. The signal change vs velocity has the same general shape for all three media but the change is larger for air and the sensitive range is different for each. For air and most

gaseous media the range is 0.1 to 500 feet per second (FPS). For most liquid media the range is 0.01 to 5 FPS (Hydrocarbons) and 0.01 to 2.5 FPS (water). Appendices in section 9.0 contain flow conversion information to facilitate conversion from various units and pipe dimensions into flow velocity in feet per second.



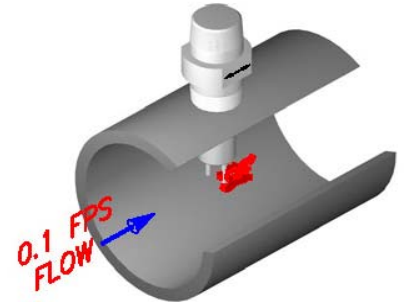
For a no flow condition the thermal differential between the two tips is high because of relatively low heat transfer.



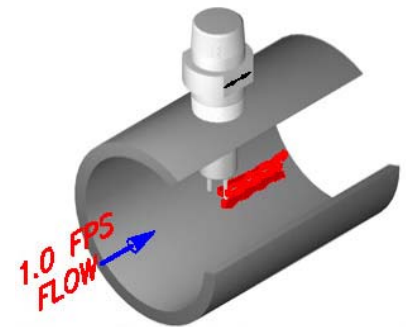
When the lower differential matches the customer select flow velocity trip point (set point) the switch relay and red LED are tripped.

Gas Or Liquid Flow

Note: The fluid velocity and heat absorption ability determine the differential between the tips. Their combination determines the measurable velocity. In water velocities from 0.01 to 2.5 FPS are measurable. In Hydrocarbons velocities from 0.01 to 5 FPS are measurable, whereas in air velocities of 0.1 to 500 FPS can be measured.



Flow across the tips decreases the thermal differential because of the higher heat transfer of flowing fluids. This differential is compared with the trip point.



When flow is above the trip point the differential is smaller than at the set point and the relay and LED remain tripped.

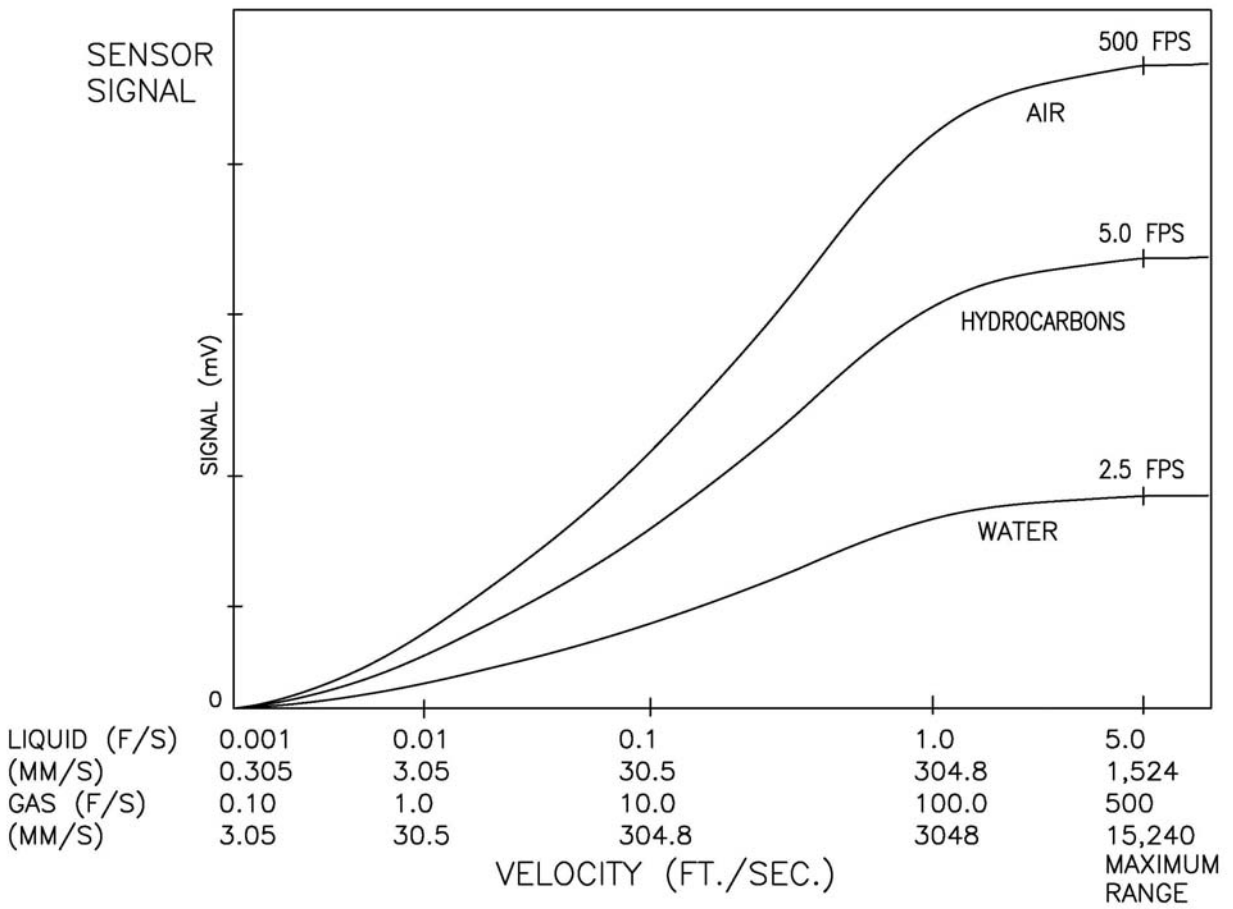
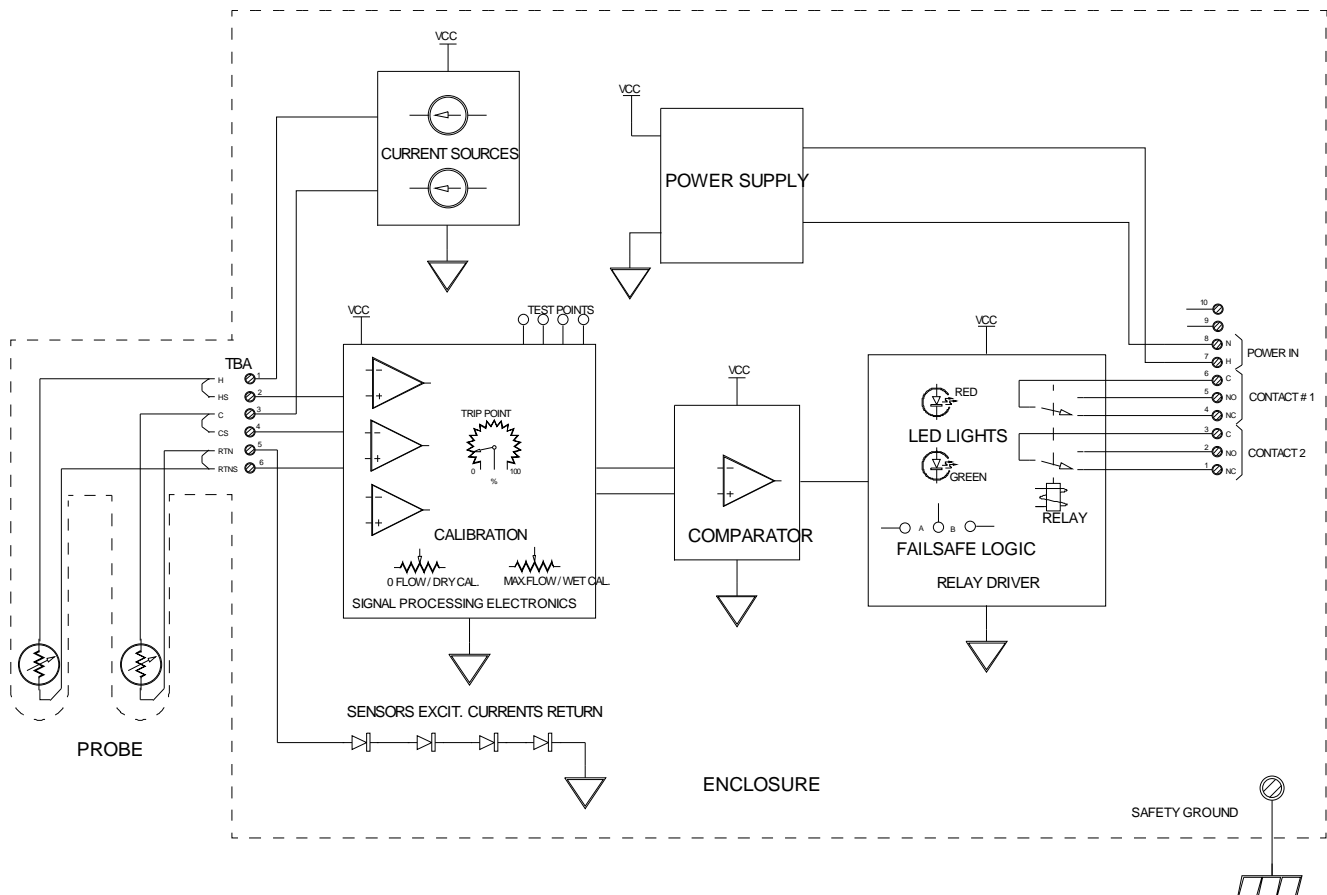


FIGURE 2B INNOVA-SWITCH MODEL 615 FLOW RESPONSE FOR THREE MEDIA

Figure 3.A shows a block diagram of the Innova-Switch™.

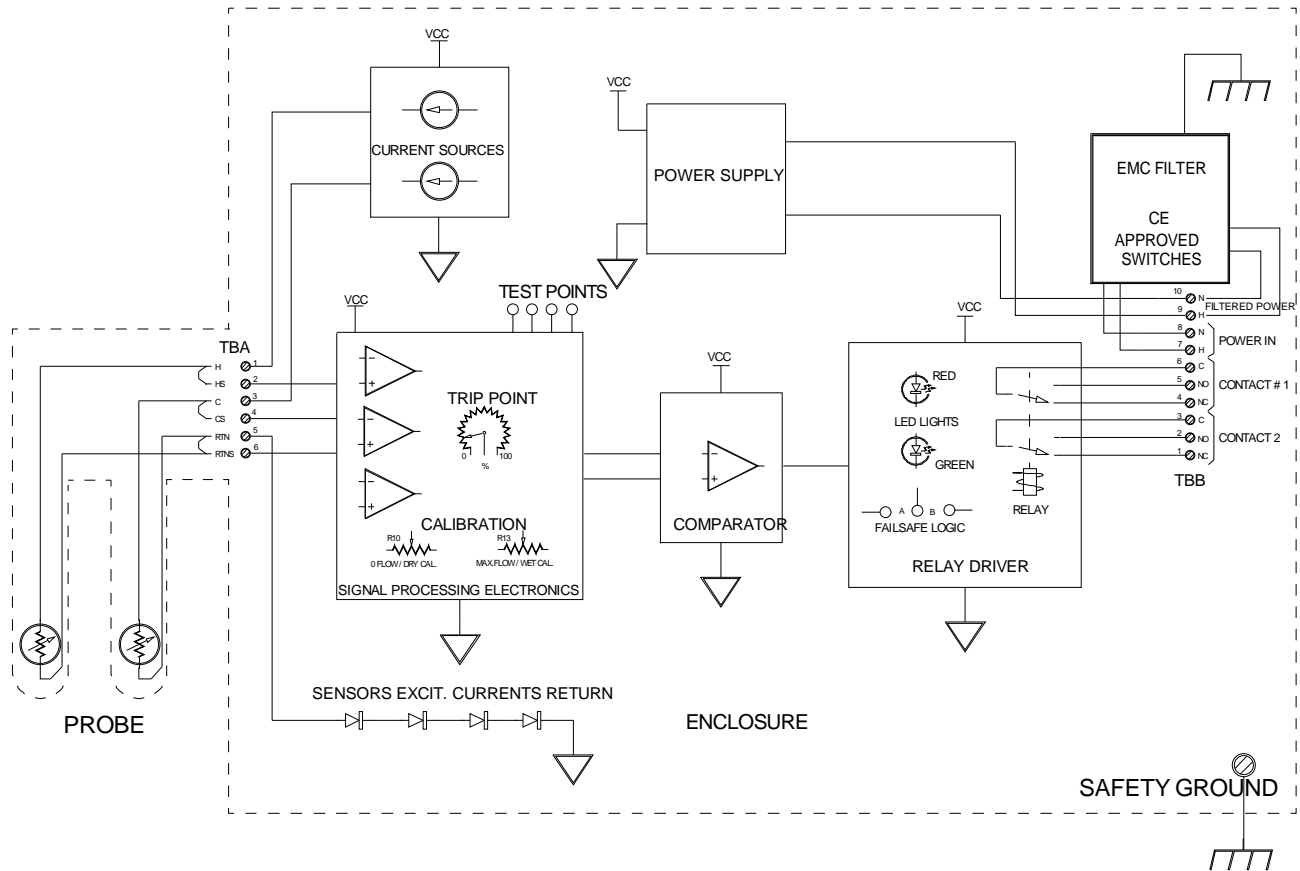
Once the switch is set to respond to the minimum and maximum flow rates (or wet vs. dry conditions), the trip point is set by adjusting the Trip Adjust Potentiometer. Solid state electronics transform the flow (or wetting) induced temperature differential into a voltage that is compared to a control voltage. Matching voltages cause actuation of a relay to indicate a change in state (flow vs. no-flow or dry vs. wet).



DRAWING FILE: MTF3A00.DWG/.FCW

**FIGURE 3A: INNOVA-SWITCH SERIES BLOCK DIAGRAM
 MODELS LS32CS/FS42CS, LS32CN/FS42CN, LS32NX/FS42NX,
 AND LS32SK/FS42SK
 (MTF3A00.DWG/.FCW)**

Figure 3B shows a block diagram of the Innova-Switch™ with the addition of an EMC filter required for the CE options (see section 7.0).



DRAWING FILE: MTF3B00.DWG

FIGURE 3B: INNOVA-SWITCH MODELS WITH THE CE OPTION SWITCH BLOCK DIAGRAM (MTF3B00.DWG)

The instrument enclosure at the top of unit contains the Innova-Switch™ electronics board which is removable to access the terminal block and facilitate field wiring (see Figure 4.0). For applications where the electronics must be located away from the sensors due to elevated process temperature, accessibility, etc., another instrument head containing the electronics is remotely located (See option RE-Remote Electronics section 3.2.2).

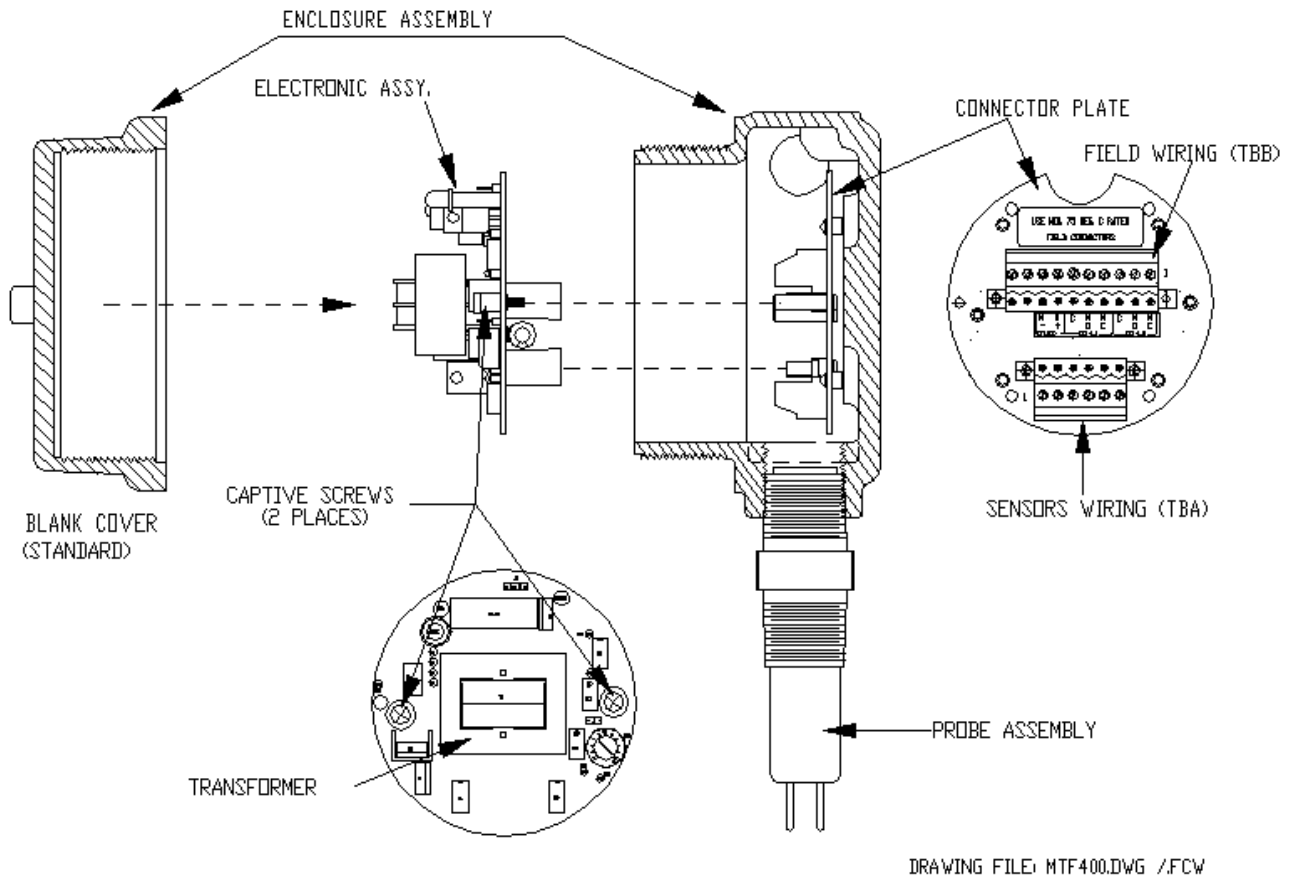


FIGURE 4 INNOVA-SWITCH™ ASSEMBLY (MTF400.DWG/FCW)

This page left blank intentionally.

3.0 INSTALLATION

3.1 MECHANICAL INSTALLATION

The standard Innova-Switch™ has a .75 inch (19.05mm) MNPT mount designed for easy installation through a threaded port. Optional configurations include .5" (12.7mm) or 1.0" (25.4mm) MNPT and flange mounts. Conduit is recommended for all wiring to the switch.

IMPORTANT

WHEN INSTALLING YOUR SIERRA INNOVA-SWITCH INTO A PIPE OR VESSEL USE A 1 1/8 INCH (28.575mm) OPEN-END OR ADJUSTABLE WRENCH TO TIGHTEN AT THE HEX FLATS OF THE MNPT OF A STANDARD SWITCH. (IF YOU HAVE A NON-STANDARD SWITCH AN ALTERNATE SIZE WRENCH MAY BE REQUIRED). DO NOT USE THE INSTRUMENT HEAD TO TIGHTEN THE SWITCH TO THE MOUNTING PORT. ROTATION OF THE INSTRUMENT HEAD WITH RESPECT TO THE SENSOR BODY CAN CAUSE INTERNAL WIRING DAMAGE.

IMPORTANT

THE SWITCH BODY MUST BE ORIENTED TO HAVE THE TWIN SENSORS PROPERLY ORIENTED. DUE TO THE PIPE THREAD MOUNTING, IT MAY BE NECESSARY TO MAKE A TRIAL FIT, ADD OR REMOVE TEFLON TAPE OR OTHER PIPE THREAD SEALANT, AND REINSTALL TO ACHIEVE A SATISFACTORY SEAL WITH THE SENSORS PROPERLY ORIENTED. PROPER ORIENTATION IS MARKED ON THE SWITCH BODY FOR REFERENCE. SEE FIGURE 5.0 FOR DETAILS.

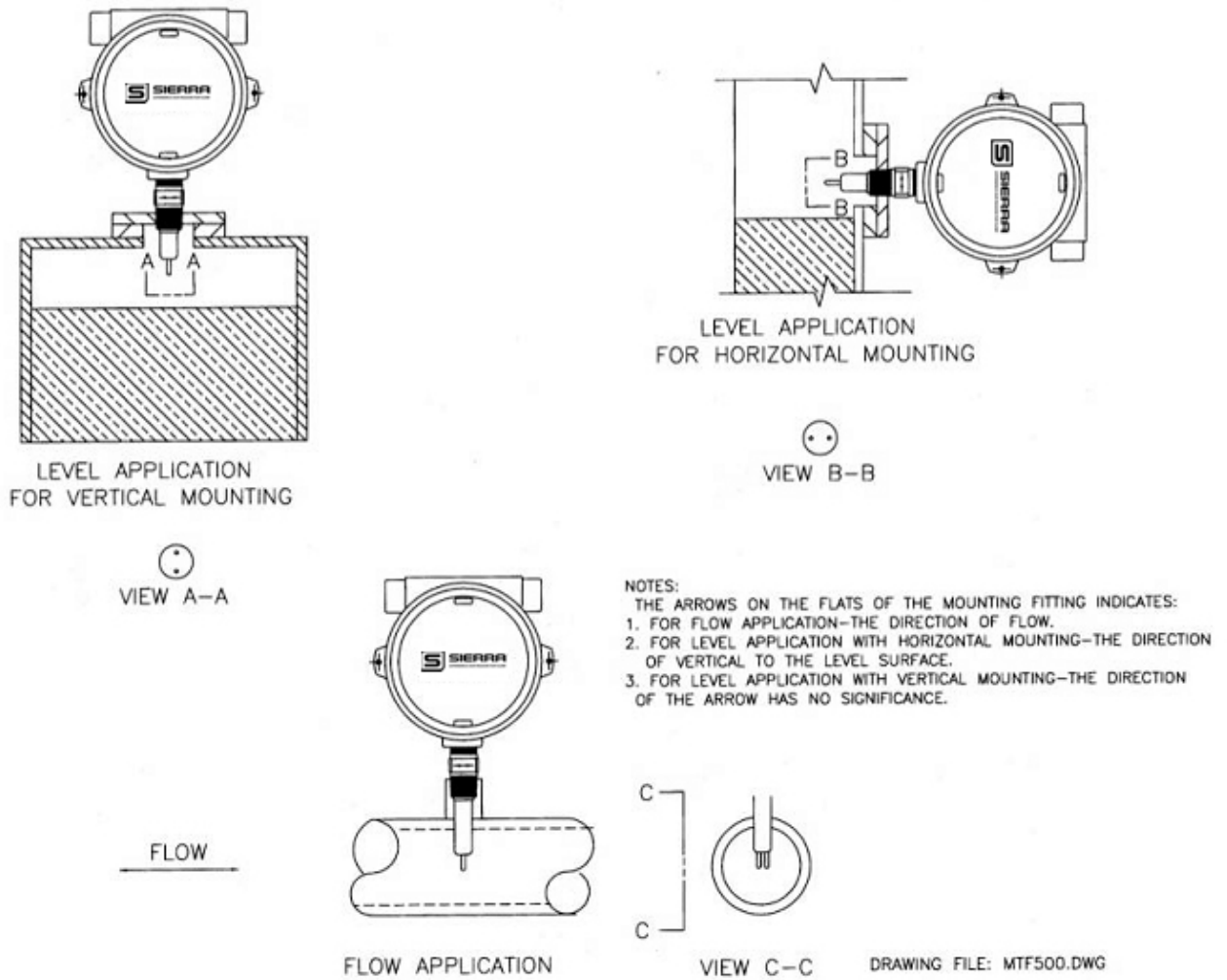


FIGURE 5: PROPER ORIENTATION OF THE SENSOR PROBE FOR LEVEL AND FLOW APPLICATION IS INDICATED BY THE ARROW ON THE FLAT OF THE MOUNTING FITTING. (MTF500.DWG/FCW)

3.2 ELECTRICAL INSTALLATION

3.2.1 LOCAL ELECTRONICS (LE OPTION/STANDARD)

Remove the instrument enclosure lid by unscrewing in a counter clockwise direction. Unscrew (CCW) the printed circuit board captive screws (See Figure 4.0 for locations). Remove the PC board by grasping the transformer and pulling it straight out. Connect power and alarm relay wiring to Terminal Block (TBB) as shown in Figure 6.0. Reinstall the Innova-Switch™ electronics and tighten the captive screws.

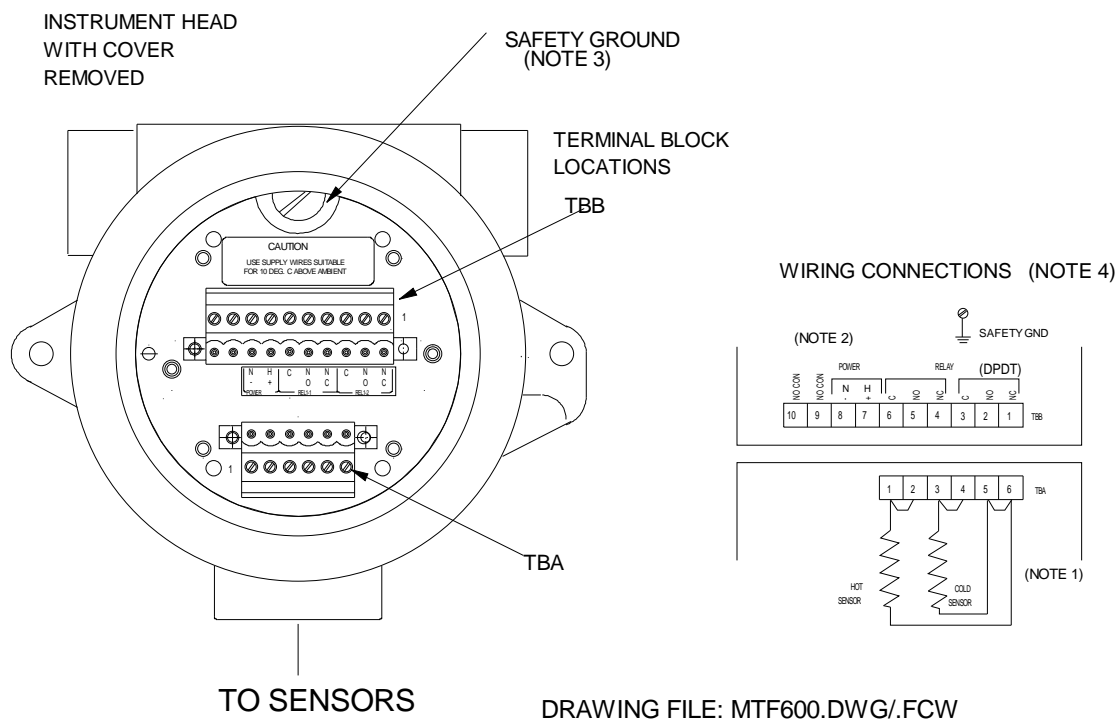


FIGURE 6.0 INNOVA-SWITCH™ LOCAL ELECTRONICS FIELD WIRING DIAGRAM (MTF600FCW/.DWG)

NOTES:

1. Connections to sensors terminal block A (TBA) are factory installed and should not be disconnected in the field. Note Jumpers 1-2, 3-4, and 5-6 must be in place on TBA for proper operation of local electronics.
2. For 24 VDC operation (factory prepared), connect +positive to TBB7 and –negative return to TBB8. For 110 VAC or 220 VAC connect hot to TBB7 and neutral to TBB8.
3. Connect ground wire to ground screw located in or on the instrument enclosure.
4. Use supply wires suitable for 10 Degrees C above ambient.

IMPORTANT

A GROUND WIRE MUST BE ATTACHED TO THE GROUND SCREW LOCATED INSIDE OR OUTSIDE OF THE INSTRUMENT ENCLOSURE FOR PROPER OPERATION.

3.2.2 REMOTE ELECTRONICS (RE OPTION)





For the remote electronics option, mount the remote instrument head using two mounting wings or bracket provided. Connect the switch wiring between the Innova-Switch™ remote electronics as shown in Figure 7.0. Connect power wiring and alarm relay wiring to the remote enclosure as shown in Figure 7.0. Upon completion of wiring reinstall the Innova-Switch™ electronics and secure with the captive screws.

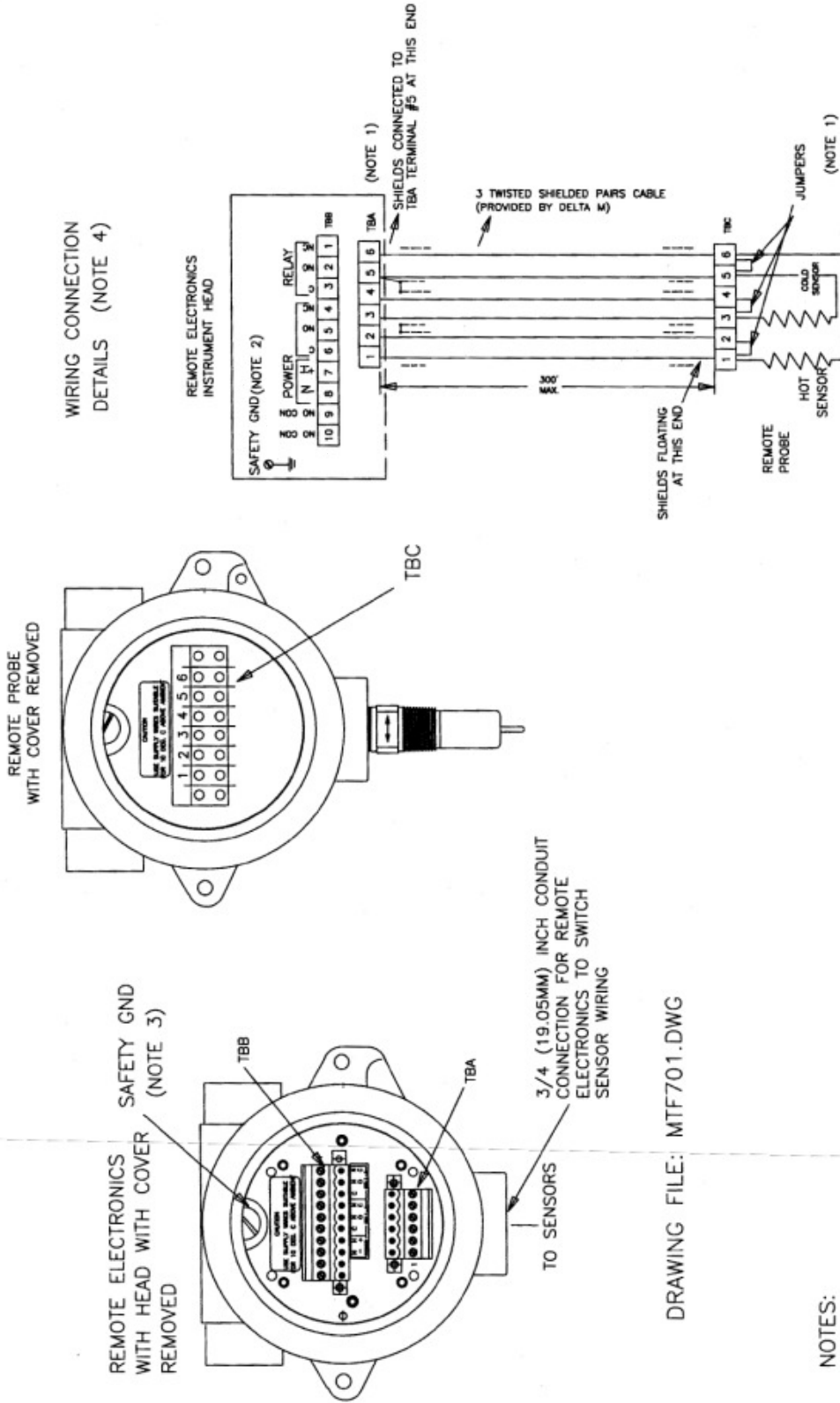
IMPORTANT

BE SURE TO APPLY THE PROPER VOLTAGE AS CONFIGURED AT THE FACTORY. DO NOT APPLY 110 VAC TO 24 VDC VERSIONS OR 24 VDC TO 110 VAC VERSIONS (LIKEWISE 220 VAC). NOTE THAT ALL VOLTAGES ARE NOMINAL.

SPECIAL NOTICE

The electronic assemblies contained in the microtuf® models are configured for specific voltages and have specific modifications to accommodate the various agency approvals. When ordering spare electronics, replacements, or exchanges in the field please ensure you identify the specific configuration you have by noting the boxes marked on the transformer configuration tag and the serial number.

PN 200203		 SIERRA <small>EXPERIENCE OUR PASSION FOR FLOW!</small>
 <input type="checkbox"/>		24 VAC <input type="checkbox"/>
 <input type="checkbox"/>		24 VDC <input type="checkbox"/>
 <input type="checkbox"/>		
SN <input style="width: 100px;" type="text"/>	<input type="checkbox"/>	220 VAC <input type="checkbox"/> 110 VAC <input type="checkbox"/>



DRAWING FILE: MTF701.DWG

NOTES:

1. JUMPER WIRES 1-2, 3-4, AND 5-6 MUST BE IN PLACE ON TBC IN THE REMOTE PROBE FOR PROPER OPERATION OF THE REMOTED ELECTRONICS.
2. FOR 24VDC OPERATION (FACTORY PREPARED), CONNECT + POSITIVE TO TBB7 AND - NEGATIVE RETURN TO TBB8. FOR 115VAC OR 230 VAC CONNECT HOT TO TBB7 AND NEUTRAL TO TBB8.
3. CONNECT GROUND WIRE TO GROUND SCREW LOCATED IN OR ON THE INSTRUMENT ENCLOSURE.
4. USE SUPPLY WIRES SUITABLE FOR 10 DEGREE C ABOVE AMBIENT.

FIGURE 7A INNOVA-SWITCH™ REMOTE ELECTRONICS OPTION FIELD WIRING DIAGRAM (MTF701.DWG/FCW)

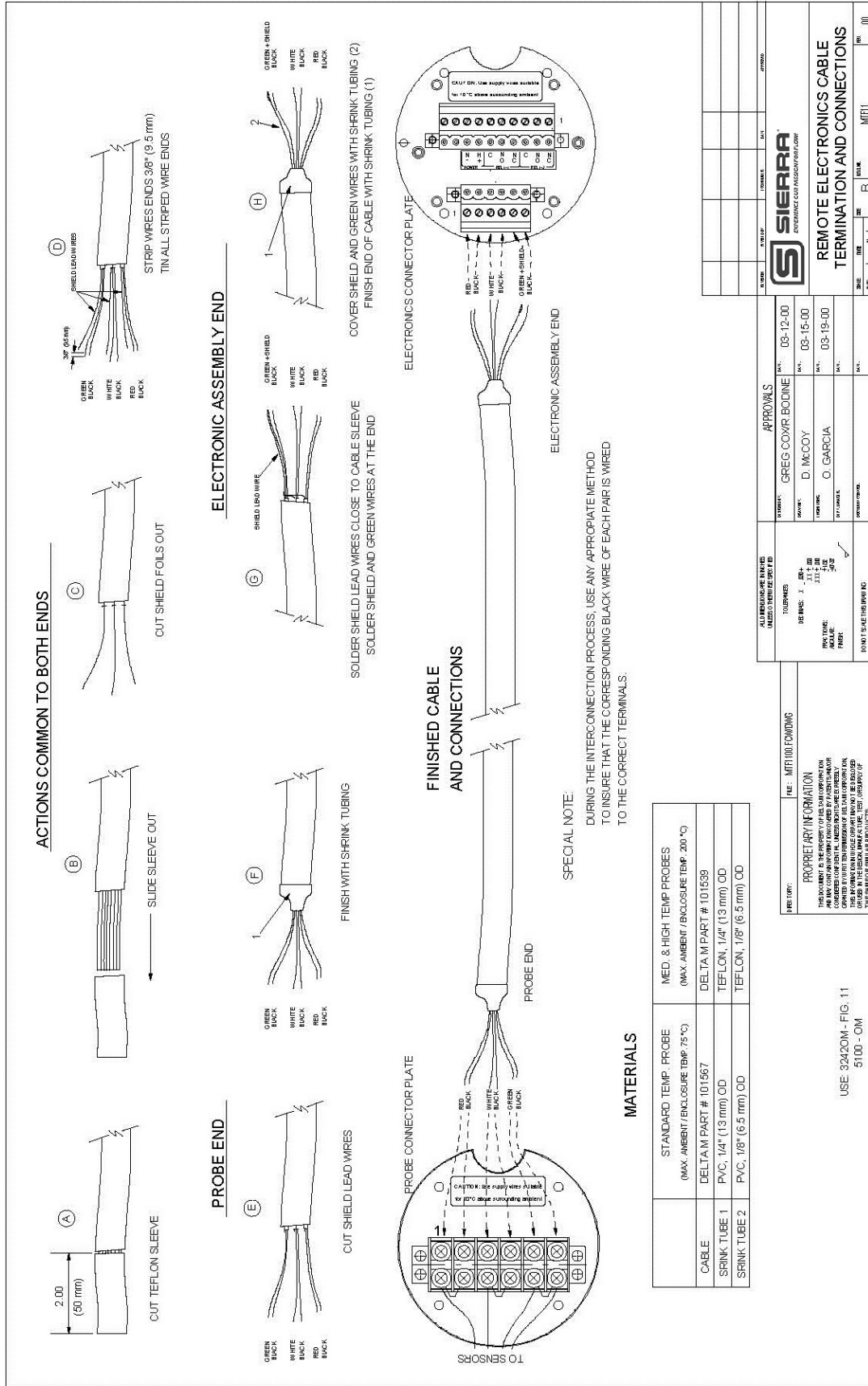


FIGURE 7B INNOVA-SWITCH REMOTE ELECTRONICS CABLE TERMINATION AND CONNECTIONS

3.2.3 CE OPTION FILTER BOARD CONNECTOR PLATE WIRING (CE OPTION)

Remove the instrument enclosure lid by unscrewing in a counter clockwise direction. Unscrew (CCW) the printed circuit board captive screws (See Figure 4.0 for locations). Remove the PC board by grasping the transformer and pulling it straight out. Connect power and alarm relay wiring to Power Block as shown in Figure 6A. Reinstall the Innova-Switch™ electronics and tighten the captive screws.

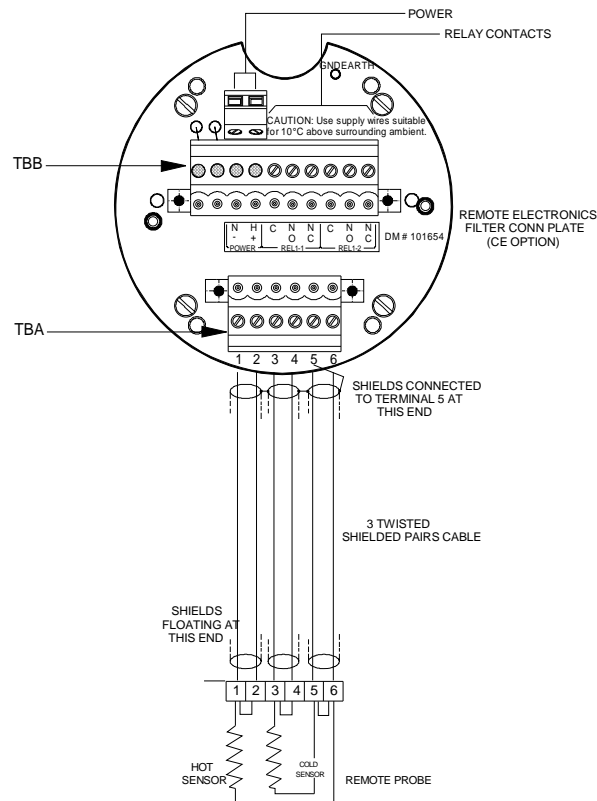


FIGURE 6A INNOVA-SWITCH™ REMOTE ELECTRONICS FIELD WIRING DIAGRAM (MTF6A00FCW/.DWG)

NOTES:

1. Connections to sensors terminal block A (TBA) are factory installed and should not be disconnected in the field. Note Jumpers 1-2, 3-4, and 5-6 must be in place on TBA for proper operation of local electronics.
2. For 24 VDC operation (factory prepared), connect +positive to TBB7 and –negative return to TBB8. For 110 VAC or 220 VAC connect hot to TBB7 and neutral to TBB8.
3. Connect ground wire to ground screw located in or on the instrument enclosure.
4. Use supply wires suitable for 10 Degree C above ambient.

IMPORTANT

A GROUND WIRE MUST BE ATTACHED TO THE GROUND SCREW LOCATED INSIDE OR OUTSIDE OF THE INSTRUMENT ENCLOSURE FOR PROPER OPERATION.

This page left blank intentionally.

4.0 OPERATION AND CALIBRATION OF THE INNOVA- SWITCH™ MODEL 615 FOR FLOW APPLICATIONS

4.1 Pre-Operational Check

With the switch installed and process conditions at no-flow, the following procedure can be used to verify preliminary operation.

- 4.1.1 Remove the instrument enclosure cover by turning counter clockwise (ccw) to expose the Innova-Switch™ electronics.
- 4.1.2 Turn on power at its source.
- 4.1.3 Observe that either the red or green LED comes on.
- 4.1.4 If neither lamp illuminates refer to the trouble shooting Section, 6.2.

4.2 L.E.D. and Relay Status Logic (Fail-safe)

4.2.1 The L.E.D.s (Red; Green) are an indication of the sensors status (ie. flow below the setpoint or flow above the set point) and are not affected by the position of the failsafe jumper J-2. The failsafe jumper J-2 changes the relay activation status allowing the user to select the failsafe power off condition most appropriate to the application. Refer to the tables below that show the logic conditions between the sensors, L.E.D. lights, relay coil and contacts for each position of the failsafe jumper J-2.

4.2.2 Normal Operation (as set at factory)

The switch comes configured from the factory with the following operation with the J-2 jumper in the B(2-3) position. (Refer to Figure 8.0.)

<u>SENSOR STATUS</u>	<u>RED LED</u>	<u>GREEN LED</u>	<u>RELAY COIL STATUS</u>	<u>RELAY CONTACT STATUS</u>
No Flow or Flow Below Set Point	ON	OFF	Activated	<ul style="list-style-type: none"> o NC o NO
Flow or Flow Above Set Point	OFF	ON	Deactivated	<ul style="list-style-type: none"> o NC o NO

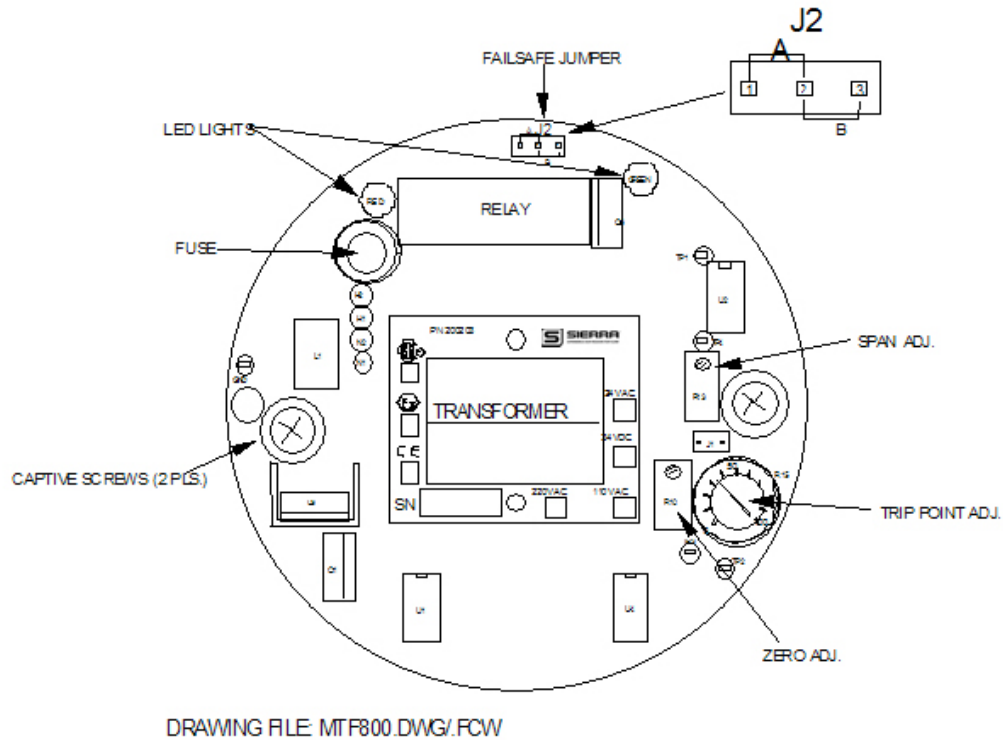


FIGURE 8.0 INNOVA-SWITCH™ ELECTRONICS (MTF800.FCW/.DWG)

4.2.3 Alternate Operation (Field Selectable)

The relay logic may be reversed by moving the J-2 jumper to position A(1-2). (Refer to Figure 8.0.)

<u>SENSOR STATUS</u>	<u>RED LED</u>	<u>GREEN LED</u>	<u>RELAY COIL STATUS</u>	<u>RELAY CONTACT STATUS</u>
No Flow or Flow Below Set Point	ON	OFF	Deactivated	<ul style="list-style-type: none"> o NC o NO
Flow or Flow Above Set Point	OFF	ON	Activated	<ul style="list-style-type: none"> o NC o NO

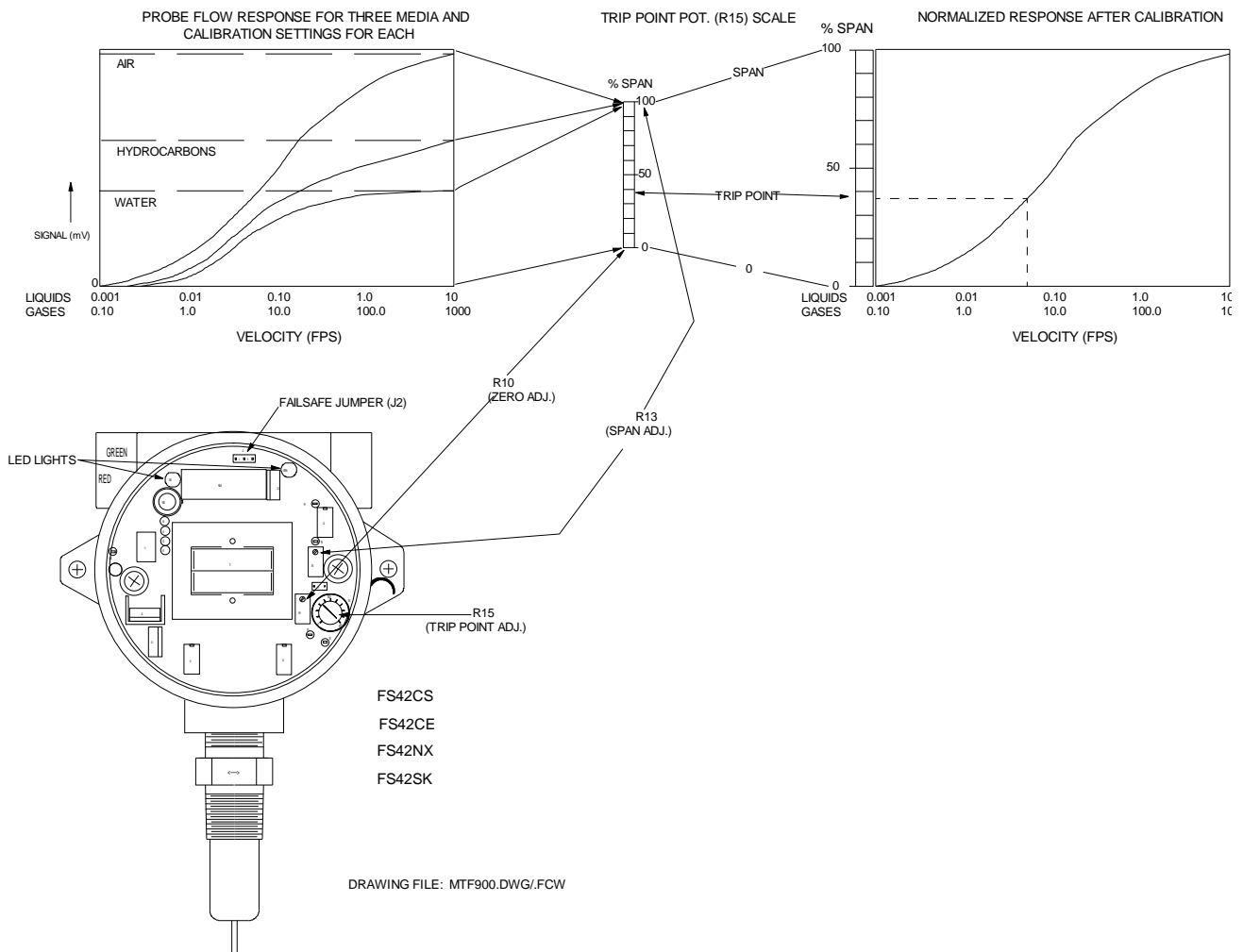


FIGURE 9.0 INNOVA-SWITCH MODEL 615 FLOW SWITCH CALIBRATION REFERENCE DRAWING (MTF900.DWG.FCW)

4.3 CALIBRATION – FLOW

****IMPORTANT****
FOR OPTIMUM OPERATION, CALIBRATION MUST BE ACCOMPLISHED AT ACTUAL PROCESS TEMPERATURE AND PRESSURE CONDITIONS IN GASES AND AT ACTUAL PROCESS TEMPERATURE CONDITIONS IN LIQUIDS.

See Figures 8.0 and 9.0 for location of potentiometers and LEDs on electronics PCB.

4.3.1 CALIBRATION PROCEDURE FOR FLOW SWITCHES

1. Remove the instrument enclosure lid by turning ccw.
2. Apply power to FS4200. **Allow 10 minute warm-up.**
3. Ensure that the pipeline is filled with fluid and at no or minimum flow.
4. Set the trip adjust pot to zero fully counterclockwise (fully ccw).
5. Adjust the zero adjust pot so that the Red LED just does illuminate. This is a 25 turn pot. If the Green LED is on, turn the pot ccw. If the Red LED is on, turn the pot clockwise (cw).
6. Toggle the zero adjust pot back and forth until the switching point is well defined. Leave the Red LED illuminated.
7. Adjust the liquid or gas flow to maximum velocity. Insure that the flow is homogenous, constant and free of bubbles if a liquid.

****NOTE****

The flow rate (maximum) should be at least 5 fps (Hydrocarbons), 2.5 fps (water), or 500 fps (gas/air) if possible for best calibration. It is possible to achieve a 5 fps set point in water if a span of 7 fps can be achieved.



TO ENSURE ACCURATE CALIBRATION AND AVOID SET POINT DRIFT, IT IS IMPERATIVE THAT A MINIMUM OF **10 MINUTE WAIT** BE OBSERVED AFTER POWER IS APPLIED TO ALLOW THE SENSOR TO WARM-UP TO THE AMBIENT FLUID TEMPERATURE.

LIKewise, WHEN ADJUSTING THE ZERO, SPAN, AND SET POINT POTS, A **MINIMUM OF 30 SECONDS** SHOULD BE OBSERVED TO ALLOW FOR STABILIZATION OF TEMPERATURE.

8. Set the trip adjust pot to 100 (fully cw).
9. Adjust the span adjust pot so that the Green LED just does illuminate. This is a 25 turn pot. If the Green LED is on, turn the pot cw. If the Red LED is on, turn the pot ccw.
10. Toggle the span adjust pot back and forth until the switching point is well defined. Leave the Green LED illuminated.
11. If the switch is to be used for flow - no flow, set the trip adjust pot to 50 and go to step 14. (Note: This adjustment can be set for tripping points between 10% and 90% of the span from no flow to max flow).
12. A more exact flow rate setting may be made by establishing the flow at the desired rate with a separate flow meter and proceeding to step 13, to establish the trip point.
13. Adjust the trip adjust pot to obtain a trip as exhibited by an LED illumination. If a trip on

decreasing flow is desired set for Red LED illumination. If a trip on increasing flow is desired set for Green LED illumination.

- Verify that the switch will reset by returning the actual product flow to the maximum or minimum flow rates.

5.0 OPERATION AND CALIBRATION OF THE INNOVA-SWITCH™ 615 SERIES SWITCH FOR POINT LEVEL APPLICATIONS

5.1 PRE-OPERATIONAL CHECK

The switch is installed **and the product level is below sensor level (dry)**, the following procedure can be used to verify preliminary operation.

- Remove the instrument enclosure cover by turning counter clockwise to expose the LS3200 Switch electronics.
- Turn on power at its source.
- Observe that either the red or green LED comes on.
- If neither lamp illuminates refer to the trouble shooting Section, 6.2.

5.2 L.E.D. AND RELAY STATUS LOGIC (FAIL-SAFE)

- The L.E.D.s (Red and Green) are an indication of the sensors status (ie. dry or wet) and are not affected by the position of the fail-safe jumper J-2. The fail-safe jumper J-2 changes the relay activation status allowing the user to select the fail-safe power off condition most appropriate to the application. Refer to the tables below that show the logic conditions between the sensors, L.E.D. lights, relay coil and contacts for each position of the fail-safe jumper J-2.

5.2.2 NORMAL OPERATION (AS SET AT FACTORY)

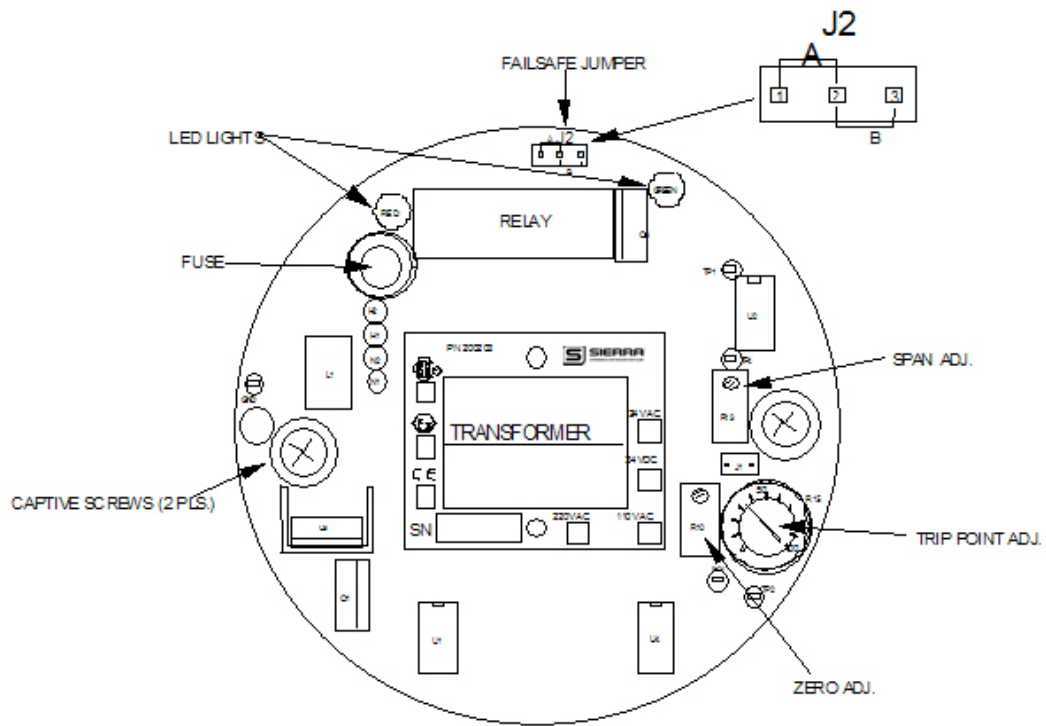
The switch comes configured from the factory with the following operation with the J-2 jumper in the B (2-3) position. (Refer to Figure 8.0.)

SENSOR STATUS	RED LED	GREEN LED	RELAY COIL STATUS	RELAY CONTACT STATUS
Dry, or Lower Thermal Dispersion Fluid (ie. hydrocarbons)	ON	OFF	Activated	o NC o NO
Wet, or Higher Thermal Dispersion Fluid (ie. water)	OFF	ON	Deactivated	o NC o NO

5.2.3 ALTERNATE OPERATION (FIELD SELECTABLE)

The relay logic may be reversed by moving the J-2 jumper to position A(1-2). (Refer to Figure 8.0.)

SENSOR STATUS	RED LED	GREEN LED	RELAY COIL STATUS	RELAY CONTACT STATUS
Dry, or Lower Thermal Dispersion Fluid (ie. hydrocarbons)	ON	OFF	Deactivated	o NC o NO
Wet, or Higher Thermal Dispersion Fluid (ie. water)	OFF	ON	Activated	o NC o NO



DRAWING FILE: MTF800.DWG/FCW

FIGURE 8.0

**INNOVA-SWITCH™ ELECTRONICS
(MTF800.FCW/.DWG)**

5.3 CALIBRATION – LEVEL

****IMPORTANT****

FOR OPTIMUM OPERATION CALIBRATION MUST BE ACCOMPLISHED AT ACTUAL PROCESS TEMPERATURE CONDITIONS.

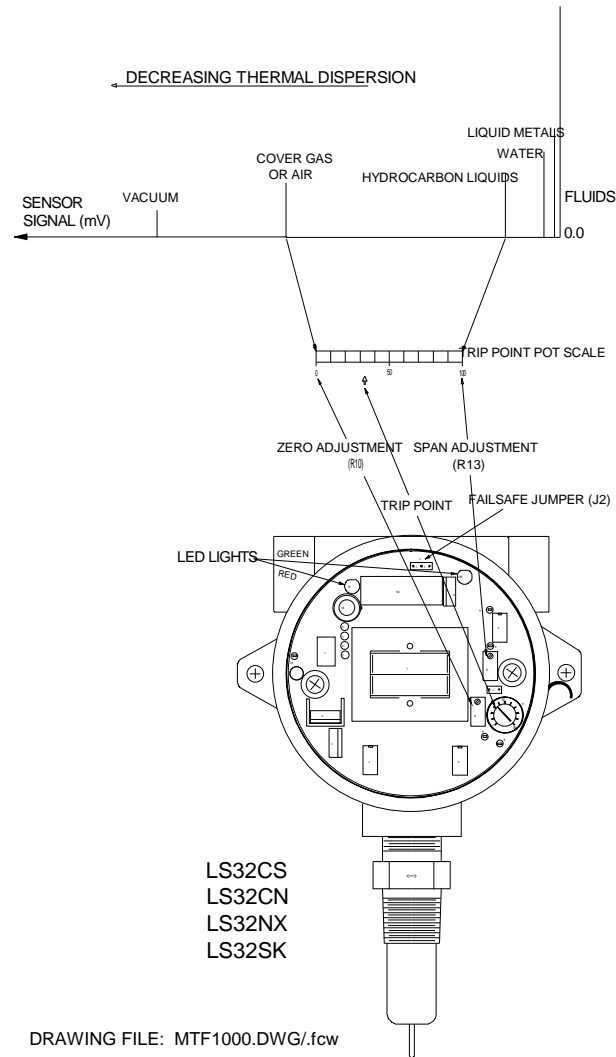


FIGURE 10.0 INNOVA-SWITCH MODEL 615 POINT LEVEL SWITCH CALIBRATION REFERENCE DRAWING (MTF1000.DWG/FCW)

5.3 CALIBRATION - LEVEL

Using Figure 10.0 as a location guide adjust the system as follows:

1. Remove the instrument enclosure lid by turning ccw.
2. Apply power to the unit. **Allow 10 minute warm-up.**
3. For optimum calibration results, wet sensor and drain but do not dry.
4. Ensure that the tank liquid level is below the probe sensor tips.
5. Set the trip adjust pot to zero, fully counterclockwise (fully ccw).

TO ENSURE ACCURATE CALIBRATION AND AVOID SET POINT DRIFT, IT IS IMPERATIVE THAT A MINIMUM OF **10 MINUTE WAIT** BE OBSERVED AFTER POWER IS APPLIED TO ALLOW THE SENSOR TO WARM-UP TO THE AMBIENT FLUID TEMPERATURE.

LIKewise, WHEN ADJUSTING THE ZERO, SPAN, AND SET POINT POTS, A **MINIMUM OF 30 SECONDS** SHOULD BE OBSERVED TO ALLOW FOR STABILIZATION OF TEMPERATURE.

6. Adjust the zero adjust pot so that the Red LED just does illuminate. This is a 25 turn pot. If the green LED is on, turn the pot counterclockwise (ccw). If red LED is on, turn the pot clockwise (cw).
7. Toggle the zero adjust pot back and forth until the switching point is well defined. Leave the Red LED illuminated.
8. Raise the level of the liquid to be detected until the probe/sensor tips are submerged and wet (covered).
9. Set the trip adjust pot to 100 (fully cw).
10. Adjust the span adjust pot so that the Green LED just does illuminate. This is a 25 turn pot. If the Green LED is on, turn the pot cw. If the Red LED is on, turn the pot ccw.
11. Toggle the span adjust pot back and forth until the switching point is well defined. Leave the green LED illuminated.
12. Adjust the trip adjust pot to 80 and the calibration is complete. Setting this pot to 80 gives an approximate equal trip time from wet to dry and from dry to wet. Setting this pot closer to zero will speed up dry to wet trip time and slow down wet to dry trip time. Setting this pot closer to 100 will slow down the dry to wet trip time and speed up wet to dry trip time.

6.0 MAINTENANCE AND TROUBLE SHOOTING

6.1 CLEANING

The switch can be cleaned by soaking, spraying solvents or detergent-and-water onto the sensor tubes, or by ultrasonic cleaning.

Lime deposits can be safely removed by soaking in 20% hydrochloric acid. Warming to 150°F is permissible to speed this process. The acid must be thoroughly rinsed off once cleaned.

For unusual cleaning problems, call Sierra and determine the exact materials of construction and chemical compatibility before using strong acids or unusual cleansers.

****IMPORTANT****

**DO NOT SANDBLAST OR ABRASIVE CLEAN THE SENSING PROBES.
THE SENSING PROBES COULD BE DAMAGED BY ABRASIVES.**

6.2 Trouble Shooting

6.2.1 Power and Continuity Verification

1. Turn power off to the Innova-Switch™.
2. Remove the instrument enclosure cover (ccw).
3. Loosen the two PC captive screws (see Figure 4.0 for location).
4. Unplug the PC board from the instrument enclosure by pulling straight out on the transformer.
5. Reapply power and verify correct voltage at pins 7 (positive for DC) and 8 (negative for DC) of TBB (see Figures 6.0 or 7.0).
6. If voltage is correct, verify the fuse (F1) on the PC board is not blown (See Figure 8.0). If fuse is not blown proceed to 6.2.2.
7. If fuse is blown replace with appropriate value (See 7.0 Specification).

6.2.2 SENSOR/ELECTRONICS FUNCTIONALITY VERIFICATION

1. Turn power off to Innova-Switch™.
2. Allow a 5 minute cool down.
3. Measure the resistance of each RTD at pins 1 and 6 of TBA (see Figure 6.0 or 7.0) for the hot RTD and pins 3 and 5 of TBA for the cold RTD. These resistances should be 110 ± 10 ohms (with sensors at approximately 70°F) and within 5% of each other in value.
4. Measure the insulation resistance between pin 1 of TBA and the case of the Innova-Switch™. It should be greater than 20 megohms.
5. If the Innova-Switch™ sensor assembly resistances are not as specified above, the switch sensor assembly must be replaced.
5. If the Innova-Switch™ sensor assembly resistances are as specified, the Innova-Switch™ PC electronic board must be replaced.

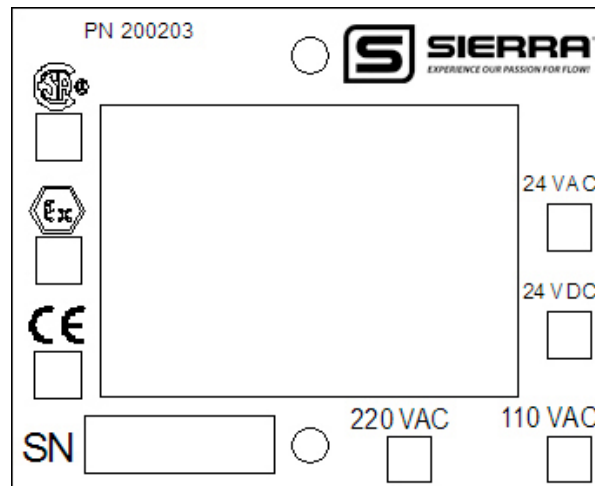
6.2.3 SET POINT DRIFT

TO ENSURE ACCURATE CALIBRATION AND AVOID SET POINT DRIFT, IT IS IMPERATIVE THAT A MINIMUM OF **10 MINUTE WAIT** BE OBSERVED AFTER POWER IS APPLIED TO ALLOW THE SENSOR TO WARM-UP TO THE AMBIENT FLUID TEMPERATURE.

LIKewise, WHEN ADJUSTING THE ZERO, SPAN, AND SET POINT POTS, A **MINIMUM OF 30 SECONDS** SHOULD BE OBSERVED TO ALLOW FOR STABILIZATION OF TEMPERATURE.

SPECIAL NOTICE

The electronic assemblies contained in the Innova-Switch™ models are configured for specific voltages and have specific modifications to accommodate the various agency approvals. When ordering spare electronics, replacements, or exchanges in the field please ensure you identify the specific configuration you have by noting the boxes marked on the transformer configuration tag.



7.0 SPECIFICATIONS

TYPE:	Thermal Differential-Dual RTD Sensors	
PROCESS CONNECTIONS:	0.75" (19.05mm) MNPT Standard, 0.5"(12.7mm), 1" (25.4mm) MNPT, and various flanges optional.	
INSERTION LENGTH:	Two inch (50.8mm) Standard, (shorter 0.5 inch (12.7mm) and longer to 120 inch (3048mm) optional).	
CONSTRUCTION MATERIALS:	Wetted parts are 316L SS welded construction (alternate materials for corrosive environments available as options. Consult factory.)	
AGENCY INSTRUMENT RATINGS:	CSA Explosion Proof: (CS series) T4A Class I, Group B, C, and D Class II, Group E, F, and G CENELEC/Explosion Proof (CN Series): EEx d IIC T4(Akron Electric Enclosure) EEx d IIB T4(Killark Enclosure) CE: EMC Directive: 89/336/EEC (CE Option)	
OPERATING TEMPERATURE:	Process: -70°C to + 200°C (-100°F to +390°F) standard (to + 600°C (+1000°F) optional) Electronics: -40°C to +60°C (-40°F to +140°F)	
PRESSURE RATED:	To 3000 psig (20.4 MPa)	
RANGE	Gaseous Mass Flow: 0.1 to 500 fps Liquid Mass Flow: 0.01 to 5 fps (Hydrocarbons) 2.5 fps (water)	
REPEATABILITY:	± 1% of Set Point or ± 1/32 inch (±.8mm)	
TIME RESPONSE:	0.5 to 10 seconds no-flow (dry) to flow (wet) and 2 to 60 seconds flow (wet) to no-flow (dry) (application dependent)	
INPUT POWER:	110 Vac, 50/60HZ standard. (220 Vac, 50/60HZ, 24 Vdc, or 24 Vac optional); 3.1w. maximum.	
FUSE REQUIREMENTS (F1):	<u>SIERRA PART NO.</u>	
	<u>CSA/FM</u>	<u>CENELEC</u>
	110 Vac: 1/4 amp	101603
	220 Vac: 1/4 amp	101603
	24 Vdc: 1/4 amp	101603
		101605
		101605
		101605
OUTPUT:	5A, 250 VAC, DPDT Standard (Optional 10A, 250 Vac SPDT) 5A 30 VDC	
STABILITY:	Temperature compensated over entire range.	

8.0 WARRANTY AND SERVICE

8.1 Warranty

Sierra Instruments, Inc. warrants Innova-Switches for a period of two years from the date of shipment and will repair or replace this product in the event of a defect in materials or workmanship. To have a product repaired, it should be returned at customer's expense, after obtaining return authorization as described in Section 8.2, to a repair facility designated by Sierra and, after repair, Sierra will prepay transportation to return the product to the customer. This limited warranty only covers failures due to defects in materials or workmanship which occur during normal use.

LIMITS AND EXCLUSIONS

SIERRA INSTRUMENTS SHALL NOT BE LIABLE FOR INCIDENTAL OR CONSEQUENTIAL DAMAGES (INCLUDING, BUT NOT LIMITED TO, LOSS OF USE, LOSS OF SALES, OR INCONVENIENCE) RESULTING FROM THE USE OF THESE PRODUCTS, OR ARISING OUT OF ANY BREACH OF THIS WARRANTY. EXCEPT AS SET FORTH ABOVE, THERE ARE NO EXPRESS OR IMPLIED WARRANTIES OR WARRANTIES OF MERCHANTABILITY OR FITNESS FOR A PARTICULAR PURPOSE.

8.2 SERVICE

To receive prompt service call Sierra's Customer Service Dept. (865) 483-1569 or toll free 1-800-922-0083. A representative will assist you in determining if the unit must be returned to the factory. A Return Authorization Number (RAN) will be given and should clearly mark the outside of the returning package. **Prior to calling, be sure to have the model number and serial number information for quick identification and service response.**

9.0 APPENDIX

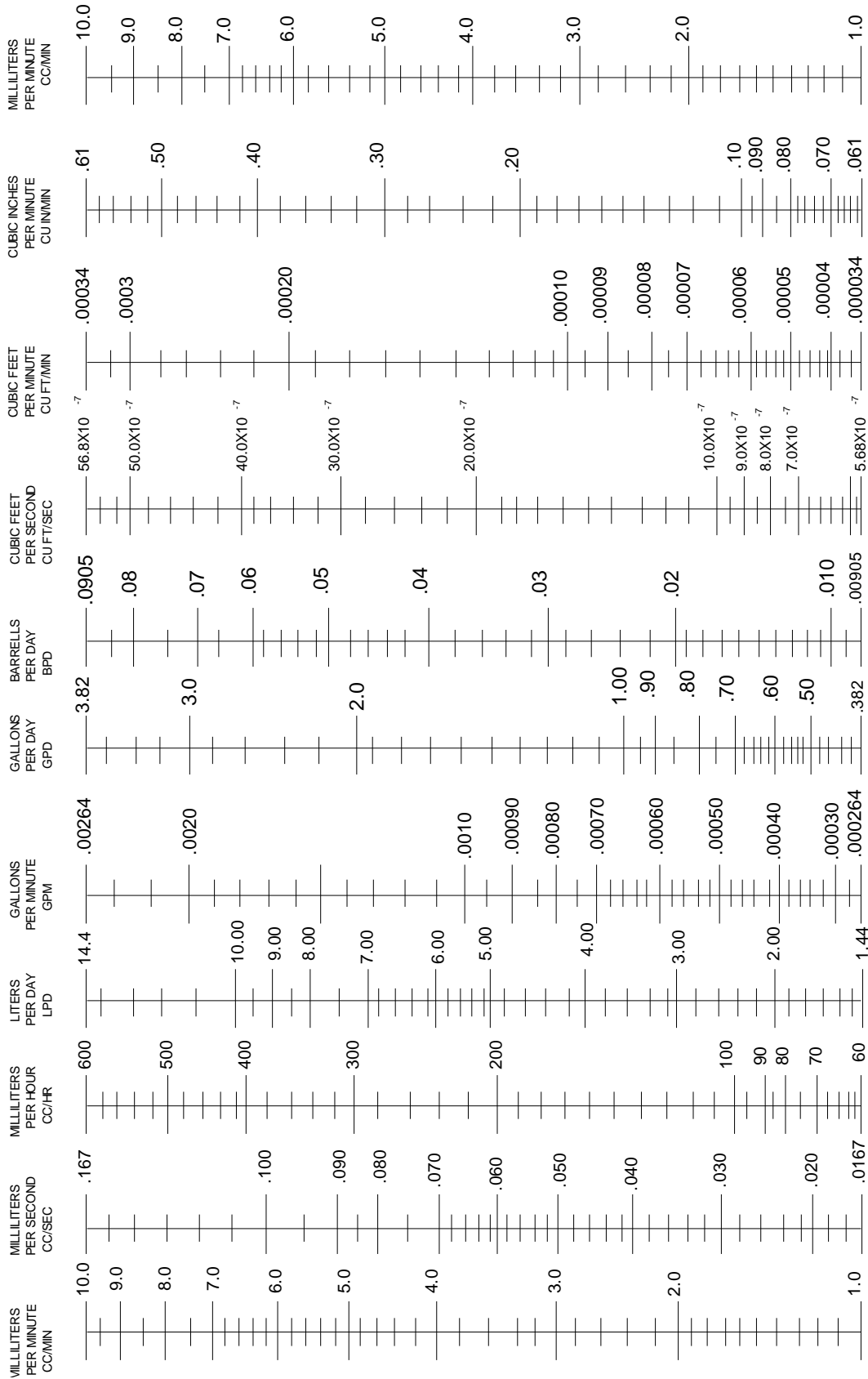
9.1 VOLUME FLOW CONVERSION CHART

Convert known units to cubic feet per second (CFPS) or gallons per minute (GPM) for use with Chart A.2

TO CONVERT FROM	TO	MULTIPLY BY
Gallons Per Minute (GPM)	Cubic Feet Per Per Second (CFPS)	2.228 E-03
Gallons Per Day (GPD)	CFPS	1.547 E-06
Barrels Per Day (BPD)	CFPS	6.531 E-5
Cubic Ft. Per Minute (CFPM)	CFPS	1.667 E-02
Cubic In. Per Minute (CIPM)	CFPS	9.645 E-06
Milliliters Per Minute (MLPM)	CFPS	5.886 E-07
Milliliters Per Second (MLPS)	CFPS	3.531 E-05
Milliliters Per Hour (MLPH)	CPFS	9.810 E-09
Liters Per Day (LPD)	CPFS	4.087 E-07
Gallons Per Day (GPD)	GPM	6.944 E-04
Barrels Per Day (BPD)	GPM	2.931 E-02
Cubic Ft. Per Second (CFPS)	GPM	4.488 E+02
Cubic Ft. Per Minute (CFPM)	GPM	7.481
Cubic In. Per Minute (CIPM)	GPM	4.329 E-03
Milliliters Per Minute (MLPM)	GPM	2.642 E-04
Milliliters Per Second (MLPS)	GPM	4.403 E-06
Milliliters Per Hour (MLPH)	GPM	1.585 E-02
Liters Per Day (LPD)	GPM	1.835 E-04

9.2 FLOW CONVERSION CHART

FLOW CONVERSION CHART



THIS LINE CHART PROVIDES AN EASY METHOD FOR CONVERTING UNITS OF VOLUME FLOW. SIMPLY DRAW A LINE PERPENDICULAR TO THE SCALE LINES THROUGH A VALUE OF FLOW AND READ THE EQUIVALENT VALUE ON ANY OF THE OTHER SCALES.

9.3 FLOW OF WATER THROUGH SCHEDULE 40 STEEL PIPE

FLOW OF WATER Flow of Water Through Schedule 40 Steel Pipe

Pressure Drop per 100 feet and Velocity in Schedule 40 Pipe for Water at 60 F.

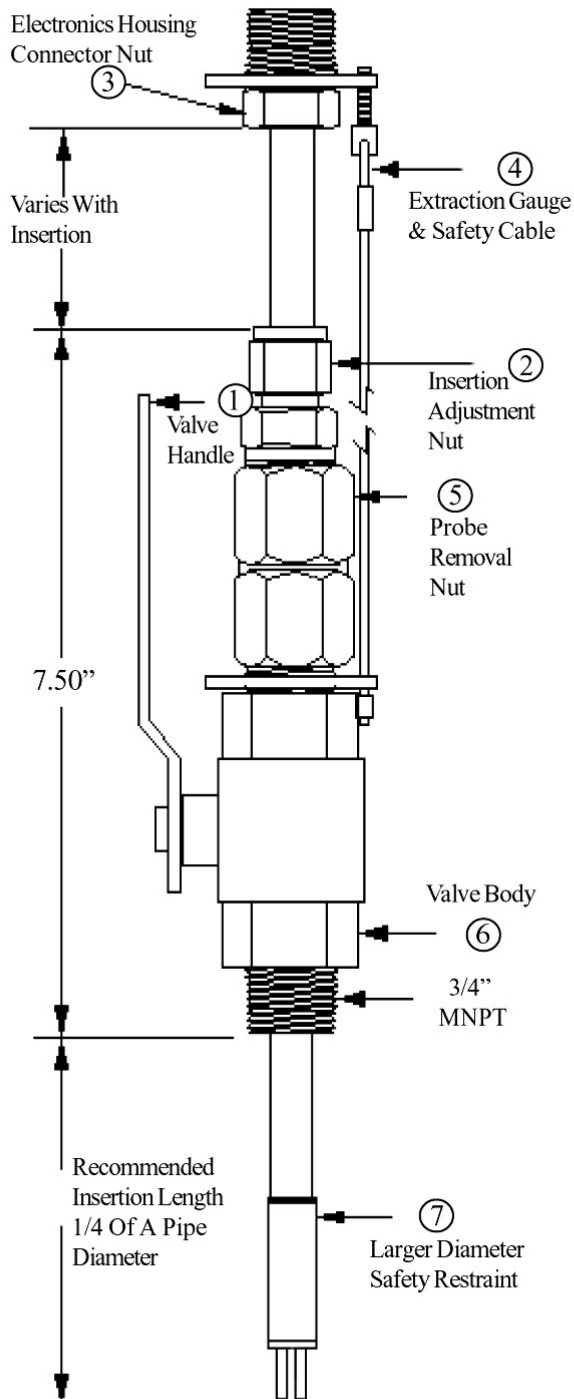
Discharge		1/8"		1/4"		3/8"		1/2"		3/4"		1"		1 1/4"		1 1/2"	
Gallons per Minute	Cubic Ft. per Second	Velocity per Second	Pressure Drop per Sq. In.	Velocity per Second	Pressure Drop per Sq. In.	Velocity per Second	Pressure Drop per Sq. In.	Velocity per Second	Pressure Drop per Sq. In.	Velocity per Second	Pressure Drop per Sq. In.	Velocity per Second	Pressure Drop per Sq. In.	Velocity per Second	Pressure Drop per Sq. In.	Velocity per Second	Pressure Drop per Sq. In.
.2	0.000446	1.13	1.86	0.616	0.359												
.3	0.000668	1.69	4.22	0.924	0.903	0.504	0.159	0.317	0.061								
.4	0.000891	2.26	6.98	1.23	1.61	0.672	0.345	0.422	0.086								
.5	0.00111	2.82	10.5	1.54	2.39	0.840	0.539	0.528	0.167	0.301	0.033						
.6	0.00134	3.39	14.7	1.85	3.29	1.01	0.751	0.633	0.240	0.361	0.041						
.8	0.00178	4.52	25.0	2.46	5.44	1.34	1.25	0.844	0.408	0.481	0.102						
1	0.00223	5.65	37.2	3.08	8.28	1.68	1.85	1.06	0.600	0.602	0.155	0.371	0.048				
2	0.00446	11.29	134.4	6.16	30.1	3.36	6.58	2.11	2.10	1.20	0.526	0.743	0.164	0.429	0.044	0.473	0.043
3	0.00668			9.25	64.1	5.04	13.9	3.17	4.33	1.81	1.09	1.114	0.336	0.644	0.090	0.630	0.071
4	0.00891			12.33	111.2	6.72	23.9	4.22	7.42	2.41	1.83	1.49	0.565	0.858	0.150	0.630	0.071
5	0.01114					8.40	36.7	5.28	11.2	3.01	2.75	1.86	0.835	1.073	0.223	0.788	0.104
6	0.01337	0.574	0.044														
8	0.01782	0.765	0.073			10.08	51.9	6.33	15.8	3.61	3.84	2.23	1.17	1.29	0.309	0.946	0.145
10	0.02228	0.956	0.108	2 1/2"		13.44	91.1	8.45	27.7	4.81	6.60	2.97	1.99	1.72	0.518	1.26	0.241
15	0.03342	1.43	0.224														
20	0.04456	1.91	0.375														
25	0.05570	2.39	0.561														
30	0.06684	2.87	0.786														
35	0.07798	3.35	1.05														
40	0.08912	3.83	1.35														
45	0.1003	4.30	1.67														
50	0.1114	4.78	2.03														
60	0.1337	5.74	2.87														
70	0.1560	6.70	3.84														
80	0.1782	7.65	4.97														
90	0.2005	8.60	6.20														
100	0.2228	9.56	7.59														
125	0.2785	11.97	11.76														
150	0.3342	14.36	16.70														
175	0.3899	16.75	22.3														
200	0.4456	19.14	28.8														
225	0.5013																
250	0.557																
275	0.6127																
300	0.6684																
325	0.7241																
350	0.7798																
375	0.8355																
400	0.8912																
425	0.9469																
450	1.003																
475	1.059	1.93	0.054														
500	1.114	2.03	0.059														
550	1.225	2.24	0.071														
600	1.337	2.44	0.083														
650	1.448	2.64	0.097														
700	1.560	2.85	0.112														
750	1.671	3.05	0.127														
800	1.782	3.25	0.143														
850	1.894	3.46	0.160														
900	2.005	3.66	0.179														
950	2.117	3.86	0.198														
1 000	2.228	4.07	0.218														
1 100	2.451	4.48	0.260														
1 200	2.674	4.88	0.306														
1 300	2.896	5.29	0.355														
1 400	3.119	5.70	0.409														
1 500	3.342	6.10	0.466														
1 600	3.565	6.51	0.527														
1 800	4.010	7.32	0.663														
2 000	4.456	8.14	0.808														
2 500	5.570	10.17	1.24														
3 000	6.684	12.20	1.76														
3 500	7.798	14.24	2.38														
4 000	8.912	16.27	3.08														
4 500	10.03	18.31	3.87														
5 000	11.14	20.35	4.71														
6 000	13.37	24.41	6.74														
7 000	15.60	28.49	9.11														
8 000	17.82																
9 000	20.05																
10 000	22.28																
12 000	26.74																
14 000	31.19																
16 000	35.65																
18 000	40.10																
20 000	44.56																

For pipe lengths other than 100 feet, the pressure drop is proportional to the length. Thus, for 50 feet of pipe, the pressure drop is approximately one-half the value given in the table ... for 300 feet, three times the given value, etc.

Velocity is a function of the cross sectional flow area; thus, it is constant for a given flow rate and is independent of pipe length.

10.0 OPTIONS

10.1 LIVETAP (LT)



Livetap (LT)

Operating Instructions

Installation

Sierra's Livetap needs to be installed using industry standard piping practices. Install Livetap using the valve body (6) only to tighten.

Probe Insertion

First the valve handle (1) must be in the open position (handle turned so that it is parallel to the probe).

Second loosen nut (2) so that probe can be pushed into the pipe or tank by putting pressure on the switch head.

Third make sure that nut (3) touches nut (2). This ensures that the probe has been inserted the proper distance.

Fourth tighten nut (2). This will lock the probe in the inserted position.

Probe Removal

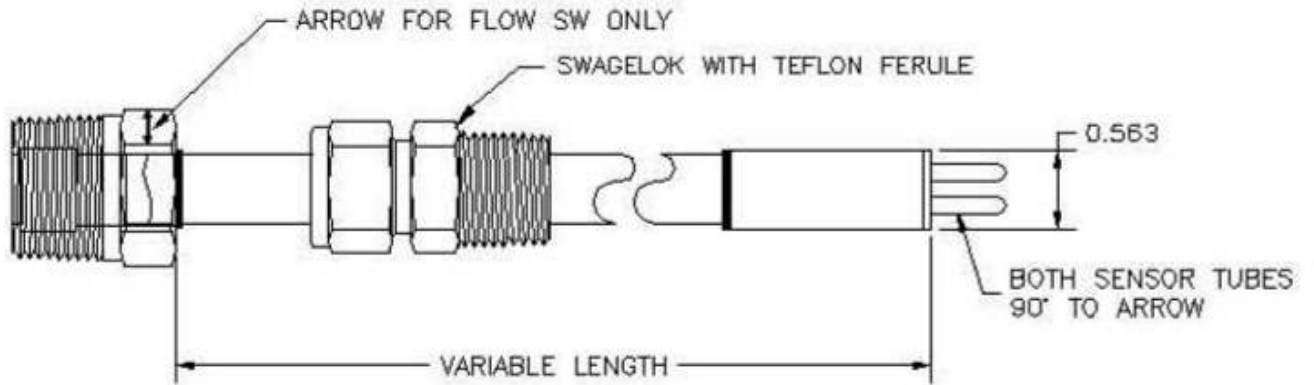
First loosen nut (2). This will allow for the removal of the switch from the flow stream by gently pulling on the switch head.

Second make sure that safety cable (4) is taut. This will ensure that the probe is clear of the valve.

Third close valve handle (1) (handle turned so that it is perpendicular to the probe).

Fourth loosen nut (5) completely. This will allow the probe with the larger diameter safety restraint assembly (7) to be removed from the valve assembly.

10.2 VARIABLE INSERTION (VI)



MAX PRESSURE AT TEFLON
SEAL IS 10 PSI

10.3 SANITARY (3A1)

Innova-Switch™ Sanitary



*Shown above with optional Sanitary Tee

Sanitary Switch Operating Instructions

Installation

Sierra's Sanitary Switch Option is to be installed using industry standard piping practices. Make sure that you have selected the proper gasket and clamp designed for your pressure, temperature and process fluid.

SPECIFICATIONS**Sensor Type:**

Thermal Differential, Dual RTD Sensors

Process Connection:

Standard 1.5 inch sanitary
Optionally 1.0 inch and larger

Insertion Length:

Standard 2.53 inch
Optionally custom length to suit your specific application.

Operating Temperature Range:

Standard -100°F to 390°F (-70°C to +200°C)
Medium temp to +572°F (+300°C)
High temp to +850°F (+458°C)

Materials of Construction:

Standard all welded 316L series stainless steel with nickel filler.

Operating Pressure Range:

Standard to 1500 psia (102 bar) with the proper clamp and gasket.

Operating Range:

Adjustable flow rate (feet per second - fps), typical: 0.01 to 5.0 fps liquids and 0.1 to 500 fps gases

Response Time:

Sensor response time 0.5 to 10 seconds media dependent

Stability:

Drift < .5% from calibrated setpoint over a range of $\pm 50^\circ$ F. Temperature compensated throughout entire range

Repeatability:

$\pm 1\%$ of setpoint

10.4 LOW FLOW (LF)

Innova-Switch Low Flow Sensor



- Developed for low flow gas and liquid applications where reliability and durability are mandatory
- Very low internal volume so that sample times are very short and sample system response remains quick
- All Welded Stainless Steel Construction
- Standard operating temperature range of -100°F to 390°F
- ¼ inch FNPT process ports that can easily be adapted to tubing by using standard fittings