



Quick Install Guide

This Quick Install Guide is applicable for all InnovaMass® and InnovaFlo® models: 240 and 241.

A copy of this Quick Install Guide, the InnovaMass 240/241 HART manual and the 240/241 Series product manual are also included on the digital communication information CD included in your shipment. This information is also available for [download](#).

Connecting to a HART Network

The HART Communications Protocol (Highway Addressable Remote Transducer Protocol) is a bidirectional digital serial communications protocol. The HART signal is based on the Bell 202 standard and is superimposed on 4-20 mA Output 1. Point-to-point (analog / digital) and multi-drop (digital only) modes are supported. Burst mode is not supported. The Innova-mass 240/241 Device Description (DD) can be downloaded at the HARTcomm.org website under "INNOVAMASS"

Application Wiring

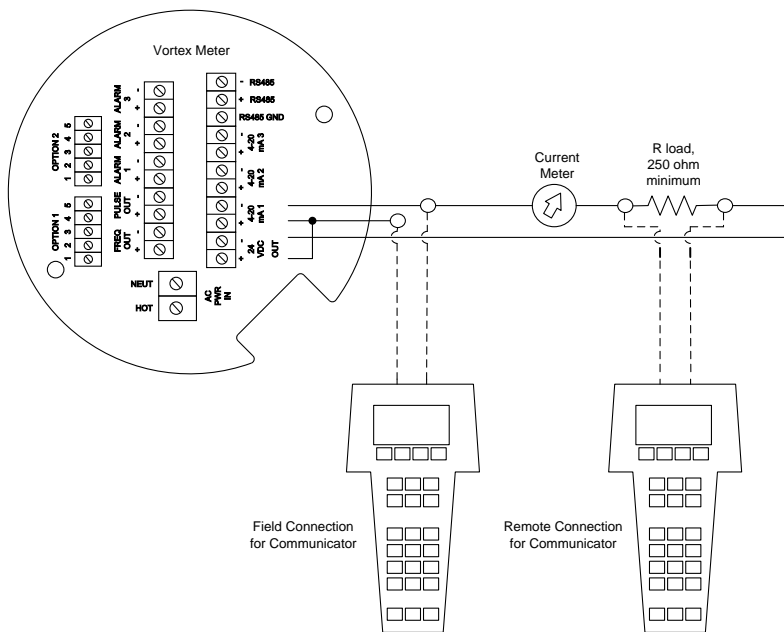


Figure 1: Typical Point to Point Application

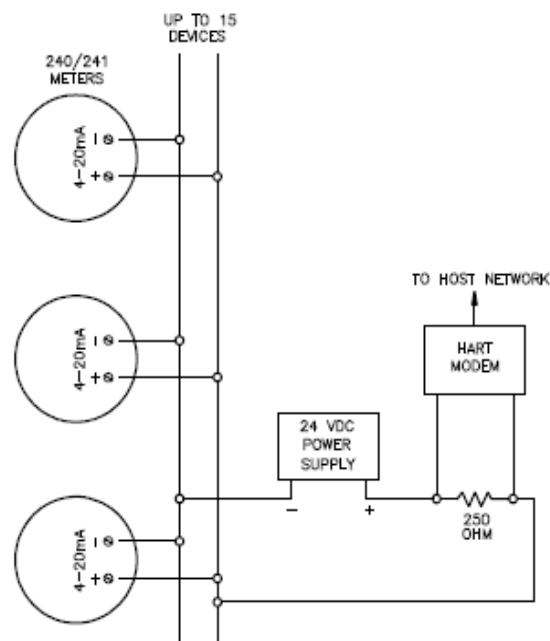


Figure 2: Typical Multi-Drop Application Wiring

Note: The DC requirements to provide the 4mA loop current for each meter varies. Consult your HART modem manufactures documentation for specific requirements.

Installation Steps

The top level menu is presented below. For drill down menus, see 240/241 Series HART Manual, Chapter 2.

Online Menu

