

QuadraTherm[®] 640i / 780i

HIGH ACCURACY : FOUR-SENSOR : MASS FLOW METER





Introducing the World's Most Accurate Thermal Mass Flow Meter

From Sierra's beginning over forty years ago, Founder Dr. John G. Olin was driven by the vision of supplying industrial customers with the world's most accurate mass flow meter. And, he knew it was a "sensor" game.

The development of an industrialized metal-sheathed sensor in the early 80s was Sierra's first big step, but Dr. Olin is a driven innovator, and this was only the beginning for someone who saw "Thermal Mass Flow" as his life's work. Many successful innovations followed, but in 1999 Sierra experienced a major breakthrough with the introduction of their patented no-drift DrySense™ mass velocity sensor. Sierra engineers now recognized they were on the cusp of realizing Dr. Olin's vision.

Realizing the Vision

Thermal technology, by its very nature, uses the physics of heat transfer and conservation of energy in an open system to measure mass flow rate. This means that for a thermal mass flow meter to achieve the greatest accuracy, it must solve the First Law of Thermodynamics (Heat Energy In = Heat Energy Out) for each data point.

As you can imagine, solving the First Law in a flow instrument was no easy task. By Dr. Olin's own accounting, decades of "hard-nosed dedication to excellence" by himself and Sierra's engineering team, years of testing, and his stack of yellow note pads over five feet high, jammed with his handwritten equations and designs, finally yielded the secret in the form of two revolutionary technologies—QuadraTherm® and qTherm™, now both patented worldwide.

QuadraTherm, Beyond Traditional Thermal

Traditional thermal sensors have two sensors—one temperature sensor and one velocity sensor, each in a separate probe sheath. QuadraTherm (the term "Quad" meaning "four") introduces four sensors—three precision platinum temperature sensors and one patented DrySense mass velocity sensor. Sensor performance improvements never thought possible are gained with QuadraTherm as forced convection is completely isolated (the critical variable for measuring gas mass flow rate) by calculating and then eliminating unwanted heat-transfer components, like sensor stem conduction, one of the major causes of false flow readings.

qTherm, the Brains Behind it

qTherm is the true "Brain" of the instrument and a revolutionary, living, learning algorithm set made possible by today's hyper-fast microprocessors and QuadraTherm sensor inputs. qTherm manages changes in gas flow, gas temperature and gas pressure, as well as outside temperature, via a comprehensive heat-transfer model. The result is a proprietary, fundamentally different gas mass flow rate calculation using all pertinent variables for the most precise, stable and accurate mass flow measurement possible.

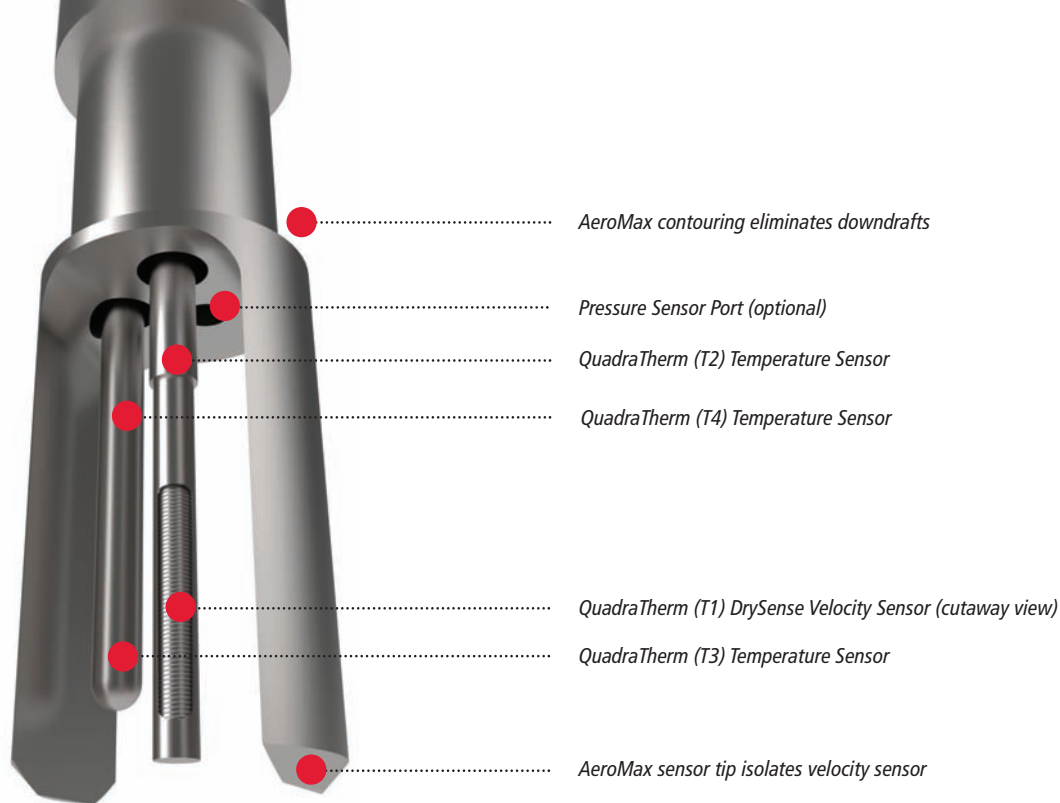
QuadraTherm 640i / 780i

- Accuracy: +/- 0.5% of Reading*
- Multivariable: Mass flow rate, temperature & pressure
- Revolutionary QuadraTherm® four-sensor design
- DrySense™ no-drift sensor with lifetime warranty
- qTherm™ living, learning "Brain" manages all inputs
- Dial-A-Pipe™ : Change pipe size
- Dial-A-Gas® : Change gas type
- qTherm Gas Library: Most common gases & mixtures (growing & improving)
- ValidCal™ Diagnostics: Assure performance
- Smart Interface Program: Computer interface software
- Foundation Fieldbus, Profibus DP, HART, Modbus (pending)
- CE and FM approved



- 780i inline version has built-in flow conditioning (note transparent pipe)

* Verified by an independent NIST and NVLAP accredited metrology laboratory



QuadraTherm Makes it Possible.

The challenge for Dr. Olin and the Sierra engineering team was to develop a sensor that isolated forced convection, a prominent source of heat loss.

In traditional thermal mass flow meters, the heated velocity sensor is inserted into the tip of a tubular probe and is surrounded by potting compounds, such as epoxy, ceramic cement, thermal grease, or alumina powder. These so-called “wet” sensors have several weaknesses. They have an increased skin resistance which creates a “droop” in the output curve and decreased sensitivity (specially at high flows) as a consequence. They are hard to produce repeatably, which ultimately means reduced accuracy. And finally, wet sensors can create long-term measurement errors caused by aging and cracking due to differential thermal expansion between the parts of the heated velocity sensor.

QuadraTherm builds on the long-term stability of our patented no-drift DrySense velocity sensor technology. As the name implies, Sierra’s velocity sensor is the only thermal sensor in the world that is truly “dry”. Our proprietary swaging process eliminates all air gaps between the heated velocity sensor and the tubular probe without the need for any potting compounds. The result is maximum sensitivity, reproducibility, immunity to cracking and shifting over time, and ultimately greatly improved accuracy. We back our DrySense Technology with a lifetime warranty.

In addition, by radically reworking the physical sensor head design, Sierra’s engineering team minimized the effects of downdrafts and other interferences that cause false flow readings in traditional thermal flow meters. As Dr. Olin states, “We are trying to create a flow field for the velocity sensor where it is unaffected by anything else around it, so it can do what it was meant to do—measure the free-stream mass flow rate.” Wind-tunnel testing and CFD modeling verified that we accomplished our goal.

QuadraTherm’s Four-Sensor Design

Sierra’s biggest breakthrough occurred when two new temperature sensors (T2 and T4—See Figure) were added to the existing two-sensor design (T3 temperature & T1 DrySense velocity) used in previous models. The two additional sensors perform real-time correction for the heat lost to the outside environment due to a phenomenon called “stem conduction.” To better understand the benefits, let’s look at a typical example.

Let’s say the temperature of the flowing gas is higher than the outside temperature. In this case, stem conduction causes a substantial fraction (between 10% to 25%) of the electrical power supplied to the heated velocity sensor to be lost through the probe shaft to the outside environment. What happens if this is a traditional thermal mass flow meter and the outside temperature in the field application drops by a few degrees? The heat lost via stem conduction will increase and a flow measurement error will occur. QuadraTherm eliminates this source of error by first accurately measuring, and then correcting for, the heat lost via stem conduction.

And with qTherm, it Learns.

QuadraTherm's four-sensor technology provides the critical inputs for qTherm's living, learning algorithm set and gas library to accurately manage changes in gas and pipe selection, gas temperature, gas pressure, and outside temperature.



qTherm solves the First Law of Thermodynamics in a fraction of a second for each mass flow data point. It calculates stem conduction and all other unwanted heat loss components, subtracts them out, and then computes the mass flow rate from the remaining forced convection component.

And, with Dial-A-Pipe, it lets you relocate the probe to different pipe sizes and types in the field. With Dial-A-Gas, it provides gas change capability with highly accurate readings.

qTherm's Expanding Gas Library

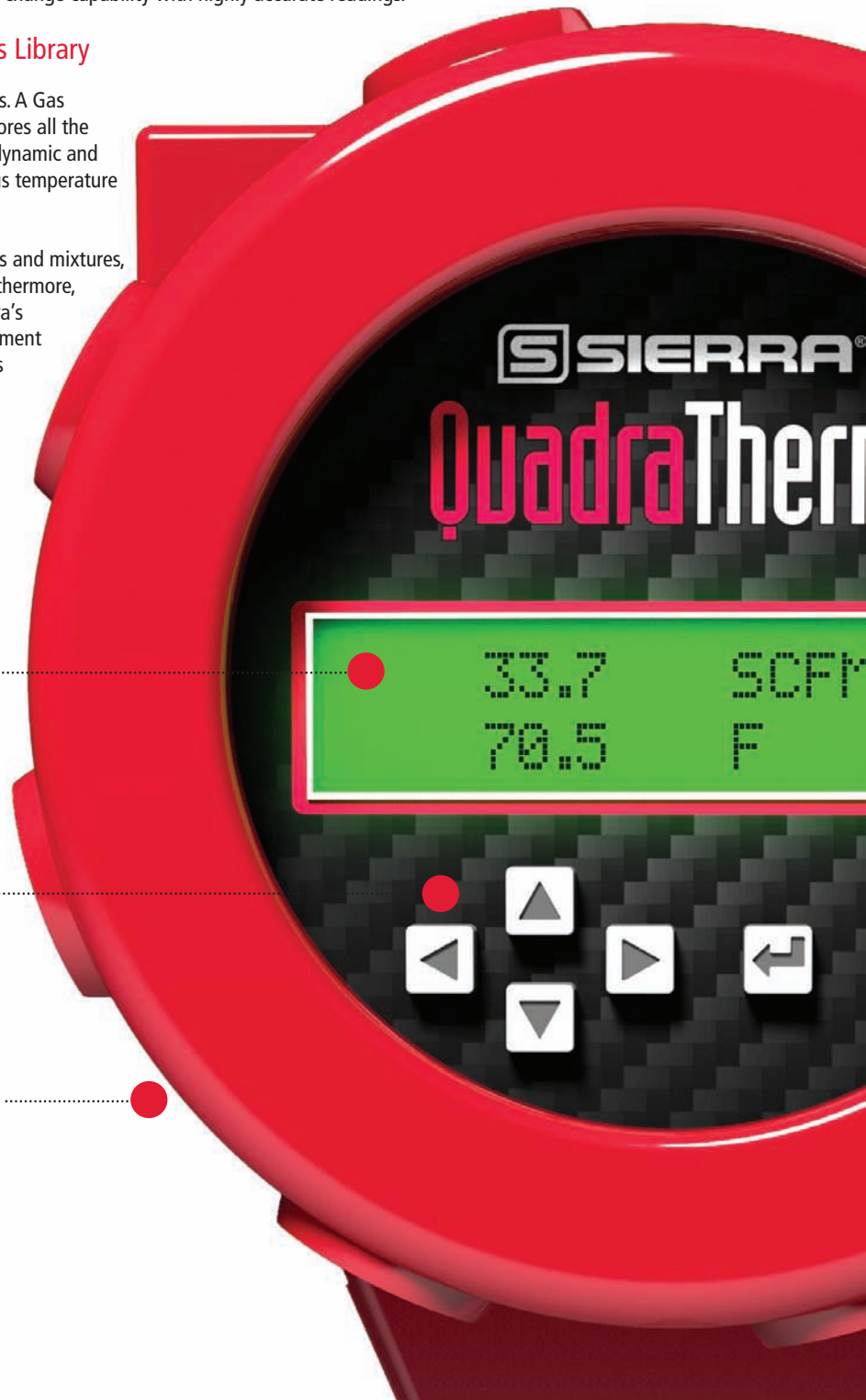
The qTherm Gas Library stores proprietary Gas Packets. A Gas Packet is analogous to the DNA of a specific gas. It stores all the parameters needed to instantly calculate the thermodynamic and transport properties of every gas or gas mixture versus temperature and pressure.

Currently, the library has mapped most common gases and mixtures, and it continues to grow and improve by the day. Furthermore, the millions of data points collected over time in Sierra's metrology laboratories can be used to tune the instrument for better performance and accuracy. Expect hundreds of data sets and gas/gas mixture combinations in the future that can be downloaded to your QuadraTherm meter via the internet.

*Multivariable Readout:
Mass flow, temperature, pressure,
totalizer, and alarms*

*Pushbutton control for
Dial-A-Gas, Dial-A-Pipe, alarms,
and engineering units*

*Explosion proof glass
and enclosure*



PERFORMANCE SPECIFICATIONS

Gas Measured

All inert gases and all non-condensing clean gases
Flammable gases: methane, propane, hydrogen, digester gas, natural gas
Corrosive gases compatible with 316L stainless steel
qTherm Gas Library: most common gases and mixtures; air is standard;
qTherm Dial-A-Gas option for choice of three additional gases

Mass Velocity Range for Air

0 to 60,000 sfpm (0 to 305 smps) at 21.1°C (70°F), 1 atm

Multivariable Outputs

Mass flow rate (standard)
Temperature (standard)
Pressure (optional)
Totalized flow: totalized value is stored in non-volatile memory

Mass Flow Accuracy

780i Inline version accuracy (highest accuracy):*
+/- 0.5% of reading above 50% of the full scale flow
+/- 0.5% of reading plus 0.5% of full scale below 50% of full scale flow

640i Insertion version accuracy:*
+/- 0.75% of reading above 50% of the full scale flow
+/- 0.75% of reading plus 0.5% of full scale below 50% of full scale flow

qTherm Dial-A-Gas: all 640i/780i units can either be calibrated on actual gas (optional) or use qTherm Dial-A-Gas accuracies. See Table 1: qTherm Dial-A-Gas Selection Chart on next page
Gas pressure accuracy +/- 1.0% full scale

* Accuracy statements verified by an independent NIST and NVLAP accredited metrology laboratory.

Gas Temperature Accuracy

+/- 1°C (1.8°F)

Gas Pressure Ranges

30 psia (2.1 bara), 100 psia (6.9 bara), 300 psia (20.7 bara),
500 psia (34.5 bara), VTP only.

Repeatability

Mass flow rate: +/- 0.15% of full scale
Gas temperature: +/- 0.5°C (0.9°F)
Gas pressure: +/- 0.5% of full scale

Response Time

Three seconds to achieve 63% (one time constant) of final value

Mass Flow Rate Turndown

100:1

ANALOG AND DIGITAL OUTPUTS

Output Signals

4-20 mA flow
4-20 mA temperature
4-20 mA pressure (optional)
Alarm output (contact SPST/opto relays)
User definable pulse output for totalized flow

Optional Communications Modules (pending)

MODBUS
Foundation Fieldbus
DeviceNet
Profibus DP
HART

POWER REQUIREMENTS

Input Power

100 to 240 VAC (0.4 Amps RMS at 230 VAC)
24 VDC +/- 10%, 1 Amp

OPERATING SPECIFICATIONS

Note: Maximum operating pressure must not exceed the full scale of the pressure transducer if the VTP option is ordered or damage may occur.

780i Inline Version Gas Pressure Requirements

NPT: 500 psia (34.5 bara) maximum

Flange process connections defined by the ASME B 16.5a – 1998 spec. group rating of 316L stainless steel ANSI class 150 or 300 class flanges (special)

316L stainless steel 150 class flanges:
230 psia at -20°F to 100°F; 195 psia at 200°F;
145 psia at 300°F; 160 psia at 400°F; and 145 psia at 500°F
Equivalent DN PN16 flanges are available (see page 10 for sizes)

316L stainless steel 300 class flanges (special):
600 psia at -20°F to 100°F; 505 psia at 200°F; 455 psia at 300°F;
415 psia at 400°F; and 380 psia at 500°F

640i Insertion Version Gas Pressure Requirements

Compression fittings: 500 psia (34.5 bara)
1-inch 150 class flange (-40°F to 250°F) 185 psia (12.8 bara)
Low pressure hot tap: 150 psia (10.3 bara)
High pressure hot tap: 230 psia (15.9 bara)

Gas Temperature Requirements (all versions)

-40°F (-40°C) to 392°F (200°C)
High temperature (HT) option to 750°F (400°C) available in 640S model only

Ambient Temperature (all versions)

-40°F (-40°C) to 140°F (50°C)

PHYSICAL SPECIFICATIONS

User Interface

Local keypad with a six-button interface
Exit ⊗ Enter ← Four-way directional arrows ◀ ▶ ▶ ▼
RS-232 with PC software for communication and programming

Digital Display

UltraBright, backlit, LCD digital display, 2 x 16, 2 x 32 scrolling

780i Inline Version Process Connections

See page 9 and 10 for NPT, ANSI class 150 flange and PN16 DN sizes.

640i Insertion Version Process Connections

See page 6 through 8 for insertion sizes.
ANSI 1-inch - ANSI class 150 flange (optional)
Low pressure hot tap rated to 150 psia (10.3 bara)
High pressure hot tap and retractor 230 psia (15.9 bara)

Wetted Materials

316 SS and 316L SS flow body and Pt/Ir (velocity sensor)

Leak Integrity

1 x 10⁻⁴ sccs of helium

Approval Agencies

FM—Explosion proof for Class I, Div I, Groups B,C,D
CE—European Conformity

Enclosure

NEMA 4 (IP66), hazardous-area explosion proof, flow pointer, meter information tag. NEMA 4X (E2 option only).

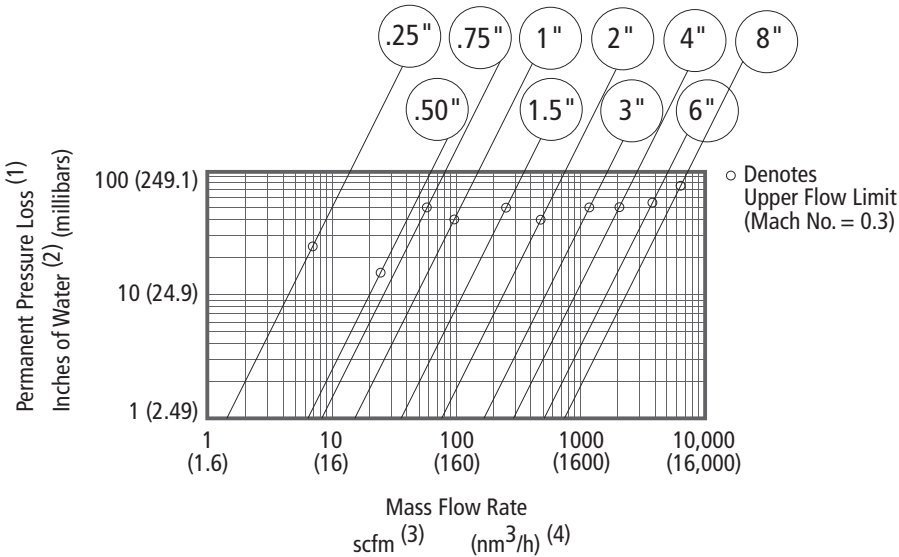
TABLE 1: qTherm Dial-A-Gas Selection Chart				
Gas	780i Accuracy		640i Accuracy	
	Actual Gas ⁽¹⁾	qTherm Dial-A-Gas ⁽²⁾	Actual Gas ⁽¹⁾	qTherm Dial-A-Gas ⁽²⁾
Air ⁽³⁾	±0.5%	N/A	±0.75%	N/A
Argon	±0.5%	±3.0%	±0.75%	±3.0%
Carbon Dioxide	±0.5%	±3.0%	±0.75%	±3.0%
Chlorine	N/A	±3.0%	N/A	±3.0%
Digester Gas (60% CH ₄ , 40% CO ₂)	±0.5%	±3.0%	±0.75%	±3.0%
Helium	±0.5%	±3.0%	±0.75%	±3.0%
Hydrogen	±0.5%	±3.0%	±0.75%	±3.0%
Methane	±0.5%	±3.0%	±0.75%	±3.0%
Nitrogen	±0.5%	±3.0%	±0.75%	±3.0%
Oxygen	N/A	±3.0%	N/A	±3.0%
Propane	±0.5%	±3.0%	±0.75%	±3.0%
Other ⁽⁴⁾ —Consult Factory	Special Calibration Request (SCR)	Special Calibration Request (SCR)	Special Calibration Request (SCR)	Special Calibration Request (SCR)

- Notes: (1) % of reading at >50% of full scale flow; add 0.5% of full scale below 50% of full scale flow
(2) % of full scale
(3) Air is standard on the instrument and cannot be removed
(4) The qTherm Gas Library is a proprietary gas property index that is continually updated and improved

TABLE 2: 640i/780i Straight Run Requirements			
Piping Condition	Upstream 640i Insertion	Upstream 780i Inline with Flow Conditioning ⁽¹⁾	Downstream ⁽²⁾
Single 90° Elbow or T-Piece	15D	1D	0D
Reduction (4:1)	20D	3D	0D
Expansion (4:1)	40D	3D	0D
After Control Valve	15D	3D	0D
Two 90° Elbows (in same plane)	30D	3D	0D
Two 90° Elbows (different planes)	40D	5D	0D

- Notes: (1) Number of diameters (D) of straight pipe required between upstream disturbance and the flow meter
(2) Number of diameters (D) of straight pipe required downstream of the flow meter

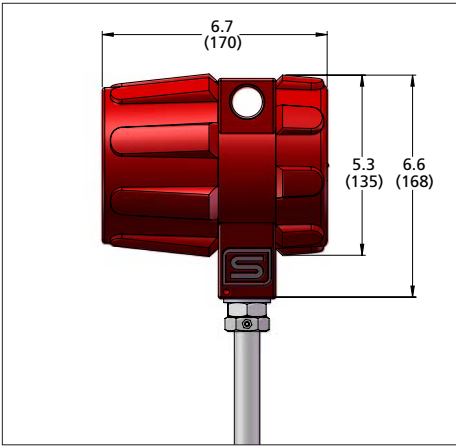
780i INLINE PRESSURE DROP



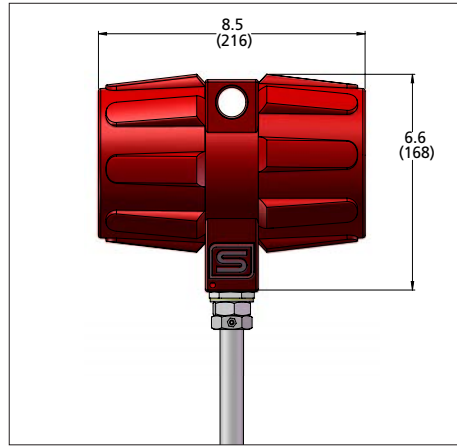
- Notes: (1) For air and nitrogen at 20°C temperature and 1 atmosphere pressure
(2) 1 inch of water at 60°F = 0.0361 psi
(3) At base conditions of 21.1°C temperature and 1 atmosphere pressure
(4) At base conditions of 0°C temperature and 1 atmosphere pressure

640i INSERTION DIMENSIONAL DRAWINGS

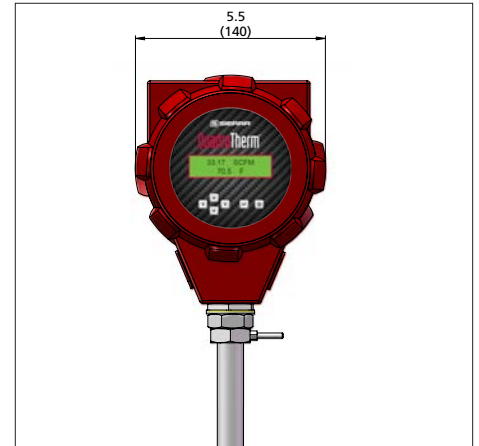
P2-DD—Side View



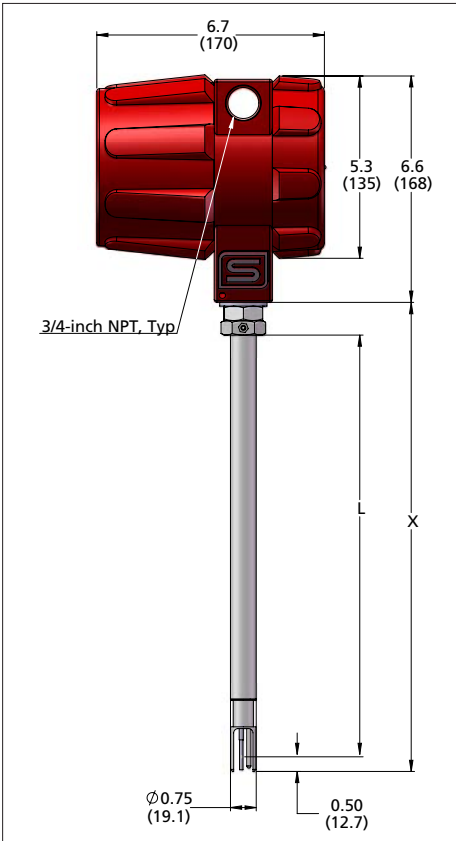
P3-DD—Side View



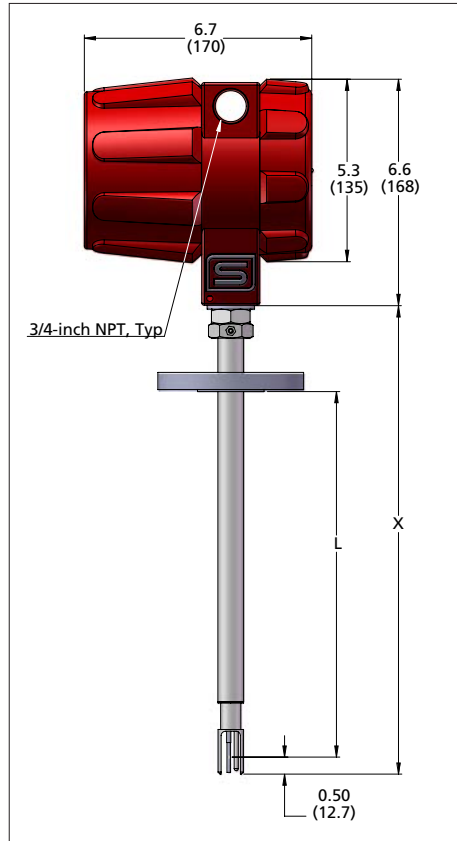
All Versions—Front View



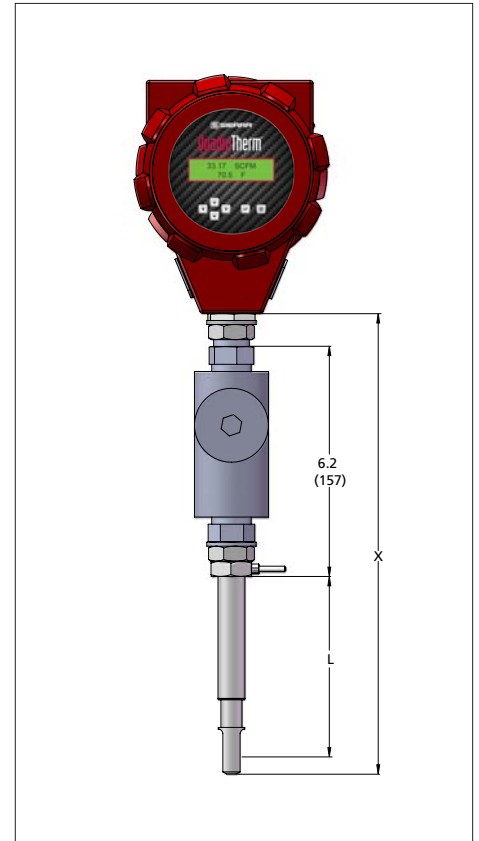
P2-DD Compression Fitting—Side View



P2-DD Flange Fitting—Side View



FM Approved Probes



Note: All dimensions in inches with (mm) in brackets; certified drawings available upon request

**Length Chart 640i
Compressions Fittings**

Code	L	X
L06	6.0 (152)	7.5 (191)
L09	9.0 (229)	10.5 (267)
L13	12.0 (305)	13.5 (343)
L18	18.0 (457)	19.5 (495)
L24	21.5 (546)	23.0 (584)
L36	35.5 (902)	37.0 (940)
L48	47.5 (1207)	49.0 (1245)

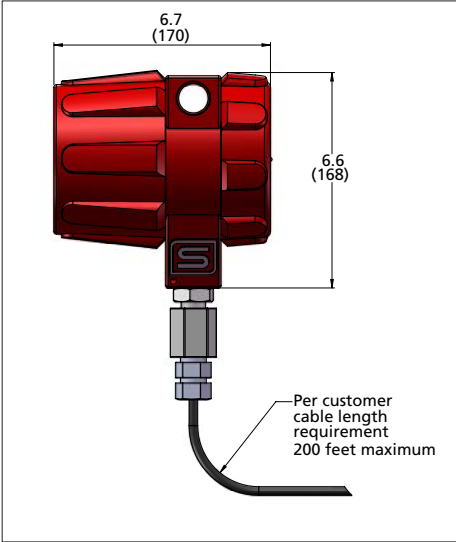
**Length Chart 640i
Flange Mounting**

Code	L	X
L06	4.4 (112)	7.5 (191)
L09	7.4 (188)	10.5 (267)
L13	10.4 (264)	13.5 (343)
L18	16.4 (417)	19.5 (495)
L24	19.9 (505)	23.0 (584)
L36	33.9 (861)	37.0 (940)
L48	45.9 (1166)	49.0 (1245)

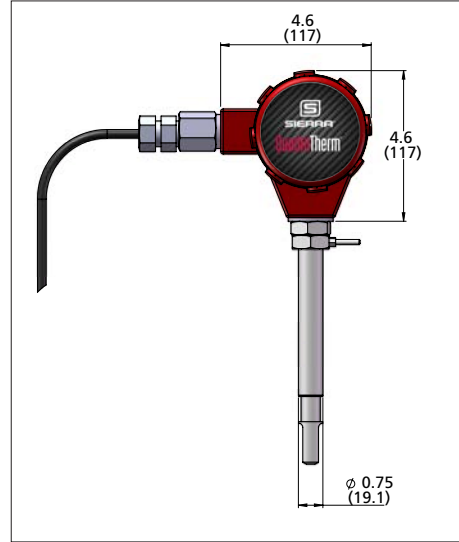
**Length Chart 640i
FM Version**

Code	L	X
L06	6.0 (152)	13.7 (348)
L09	9.0 (229)	16.7 (424)
L13	12.0 (305)	19.7 (500)
L18	18.0 (457)	25.7 (653)
L24	21.5 (546)	29.2 (742)
L36	35.5 (902)	43.2 (1097)
L48	47.5 (1207)	55.2 (1402)

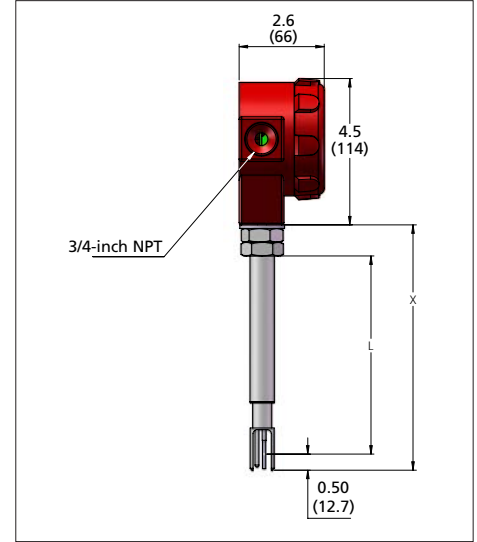
Remote Electronics—Side View



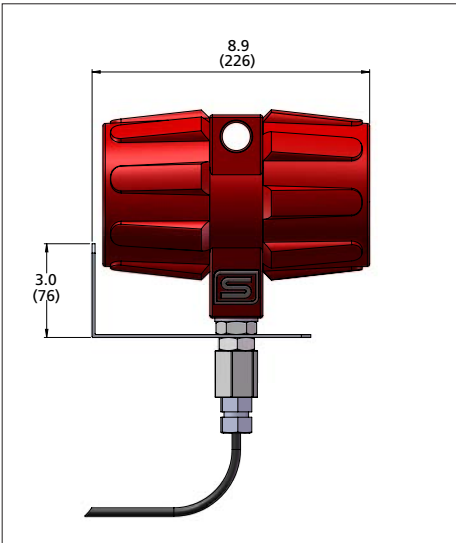
Remote Probe—Front View



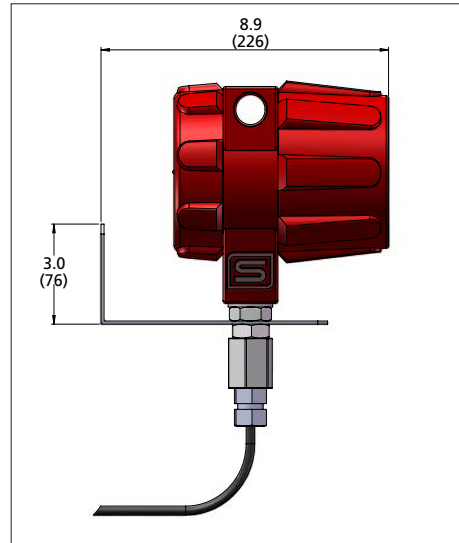
Remote Probe—Side View



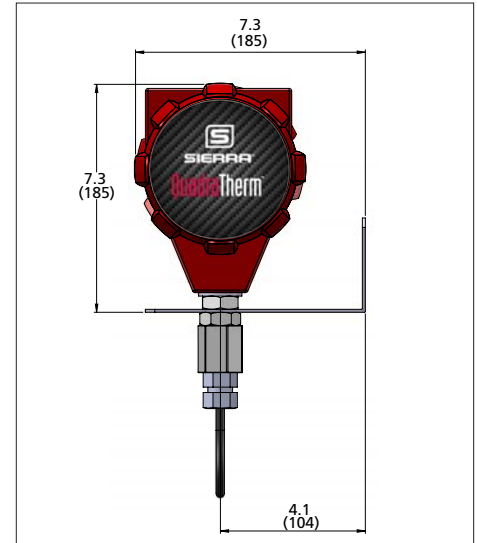
P3-DD Remote Bracket—Side View



P2-DD Remote Bracket—Side View

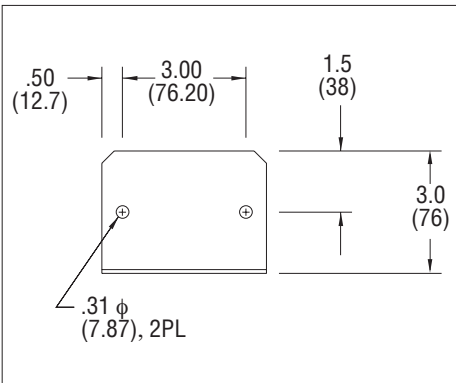


Remote Bracket—Front View



Note: All dimensions in inches with (mm) in brackets; certified drawings available upon request

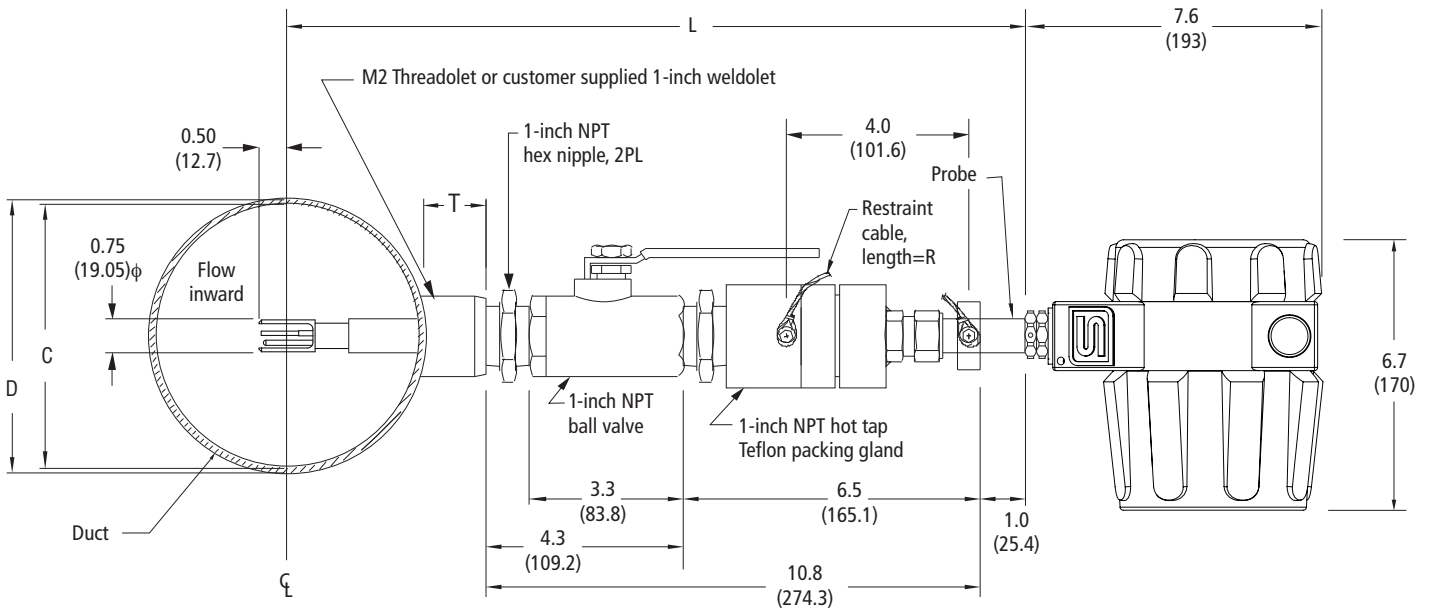
Mounting Holes for Remote Bracket



Length Chart 640i Remote Mount Junction Box		
Code	L	X
L06	6.0 (152)	7.5 (191)
L09	9.0 (229)	10.5 (267)
L13	12.0 (305)	13.5 (343)
L18	18.0 (457)	19.5 (495)
L24	21.5 (546)	23.0 (584)
L36	35.5 (902)	37.0 (940)
L48	47.5 (1207)	49.0 (1245)

Note: All dimensions in inches with (mm) in brackets; certified drawings available upon request

640i INSERTION LOW PRESSURE HOT TAP to 150 psia (10 bara)



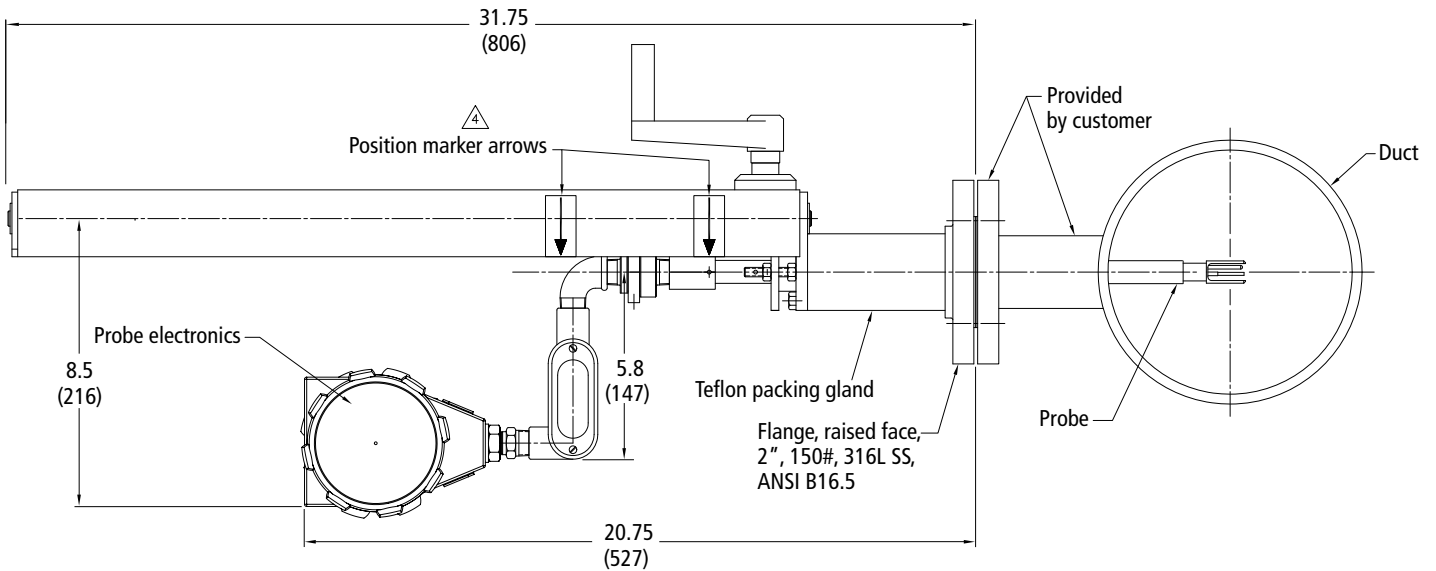
Variables

- L = Nominal Probe Length
- D = Duct O.D.
- C = Duct I.D.
- T = Height of "Threadolet" or Customer Provided Weldolet
- R = Restraint Cable Length

Formula

- $L > 12.3 + T + D/2$
So L must be equal or greater than 12.3-inches plus the height of the "Threadolet" plus half the duct O.D.
- $R = D/2 + T + 7.3$

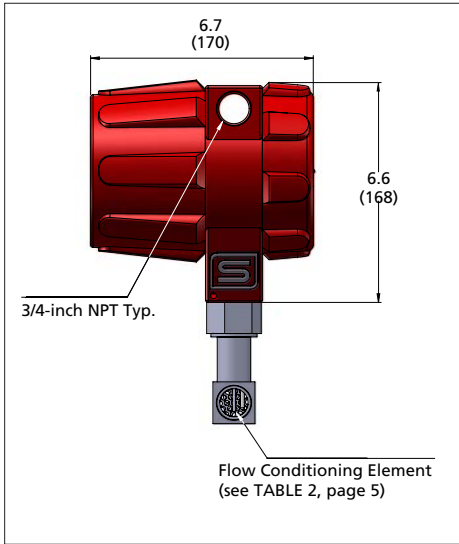
640i HIGH PRESSURE HOT TAP to 230 psia (15.3 bara)



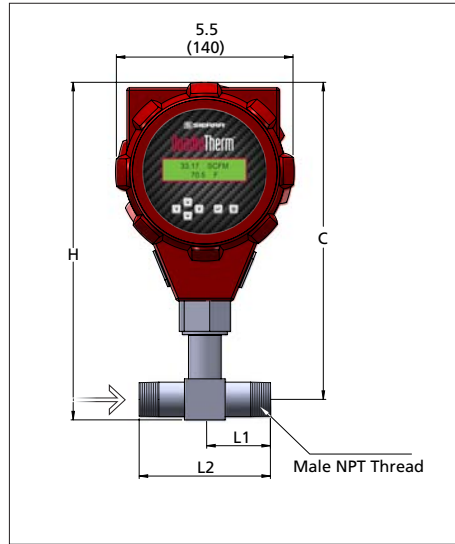
Note: All dimensions in inches with (mm) in brackets; certified drawings available upon request

780i INLINE DIMENSIONAL DRAWINGS

1/2" and 3/4" NPT—Side View

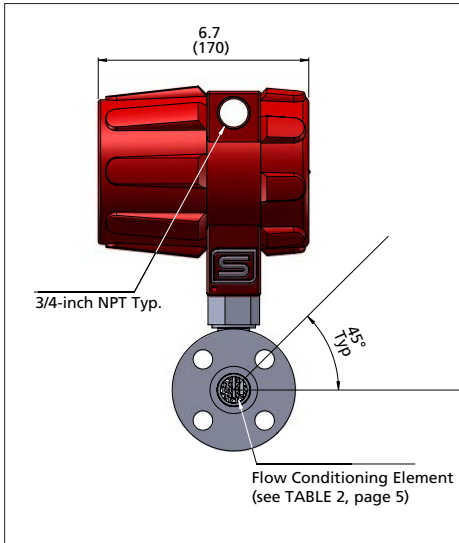


1/2" and 3/4" NPT—Front View

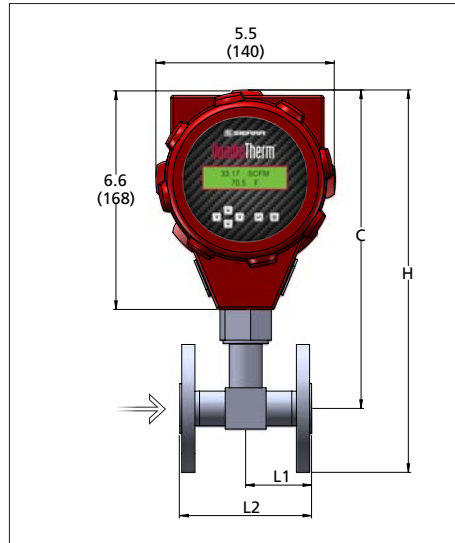


Sizes for NPT				
Size	H	C	L1	L2
1/2-inch	10.5 (267)	9.9 (251)	2.0 (51)	4.0 (102)
3/4-inch	10.8 (274)	9.9 (251)	2.0 (51)	4.0 (102)

1/2" and 3/4" 150 Class Flange—Side View

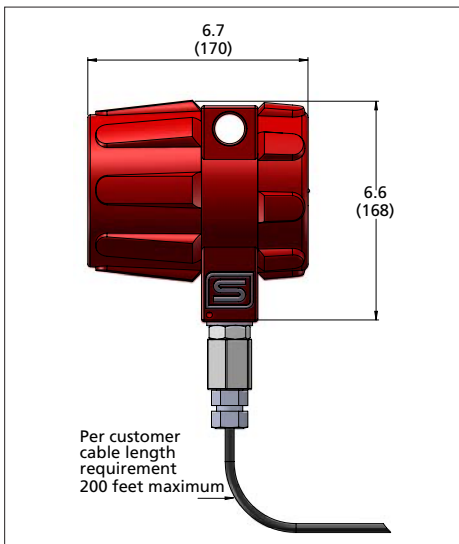


1/2" and 3/4" 150 Class Flange—Front View

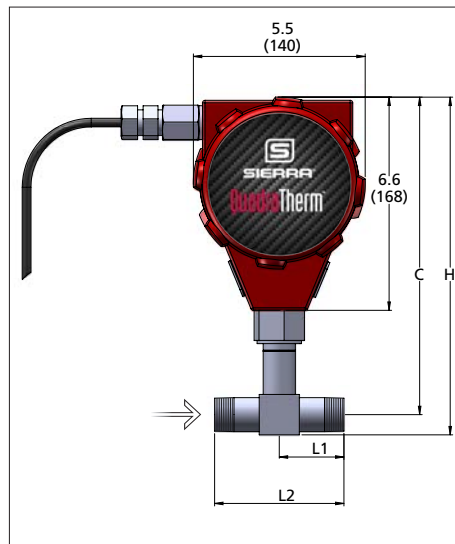


Sizes For ANSI Class 150 Flange				
Size	H	C	L1	L2
1/2-inch	11.6 (295)	9.9 (251)	2.0 (51)	4.0 (102)
3/4-inch	11.8 (300)	9.9 (251)	2.0 (51)	4.0 (102)

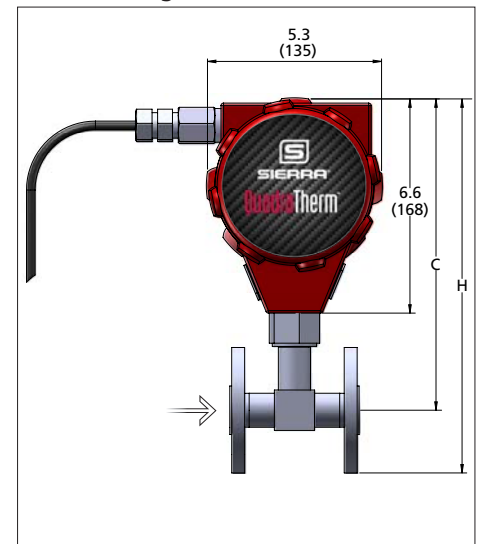
Remote—Side View



NPT Remote—Front View



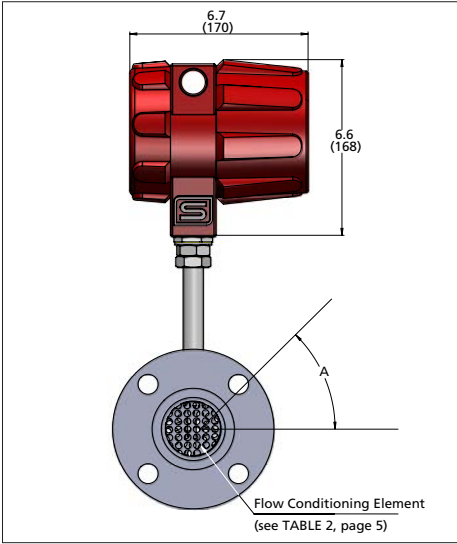
150 Class Flange Remote—Front View



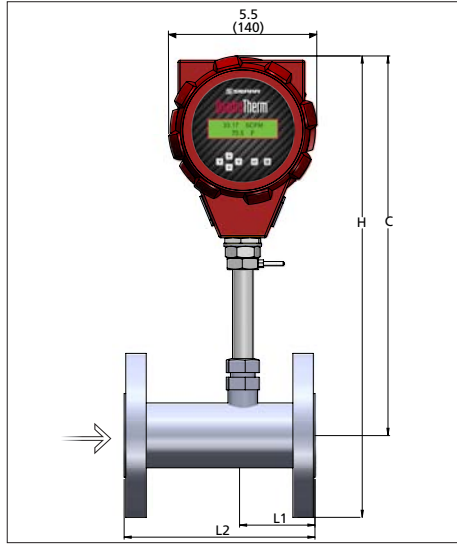
Note: All dimensions in inches with (mm) in brackets; certified drawings available upon request

780i INLINE DIMENSIONAL DRAWINGS

1" Through 8" 150 Class Flange—Side View

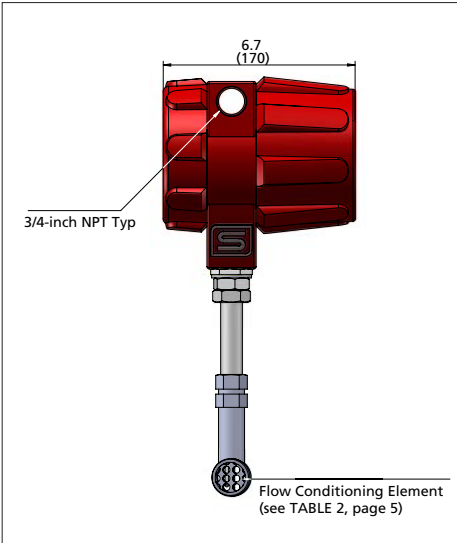


1" Through 8" 150 Class Flange—Front View

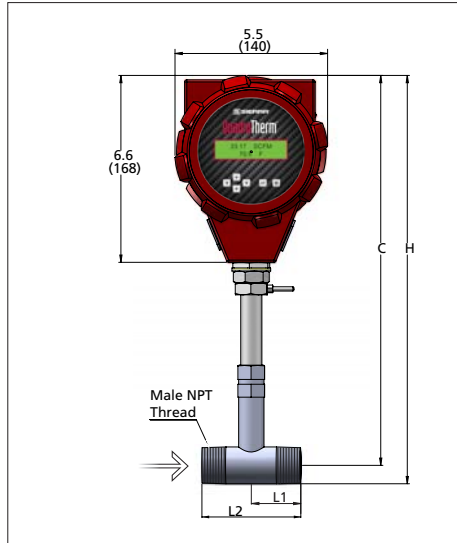


Sizes for ANSI Class 150 Flanges					
Size	H	C	L1	L2	A
1-inch	16.1 (409)	14.0 (356)	2.3 (58)	5.0 (127)	45
1.5-inch	16.1 (409)	14.0 (356)	2.6 (66)	6.0 (152)	45
2-inch	17.0 (432)	14.0 (356)	2.6 (66)	7.0 (178)	45
3-inch	17.7 (450)	14.0 (356)	2.6 (66)	10.0 (254)	45
4-inch	18.5 (470)	14.0 (356)	3.6 (91)	12.0 (305)	22.5
6-inch	19.5 (495)	14.0 (356)	5.6 (142)	18.0 (547)	22.5
8-inch	20.7 (526)	14.0 (356)	7.6 (193)	29.0 (737)	22.5

1" Through 8" NPT—Side View

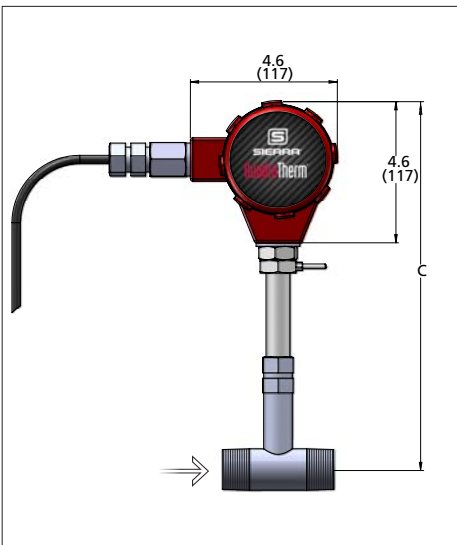


1" Through 8" NPT—Front View

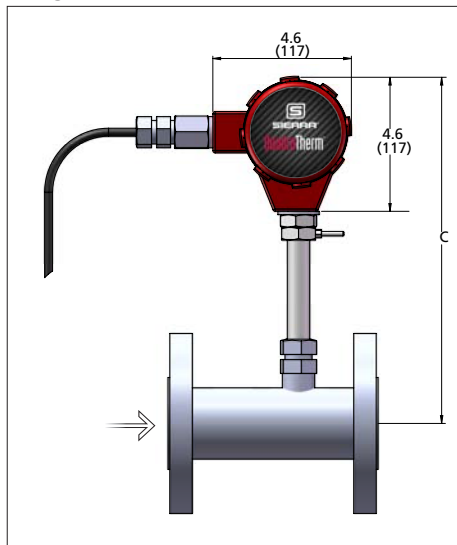


Sizes for 1-inch Through 8-inch NPT				
Size	H	C	L1	L2
1-inch	14.6 (371)	14.0 (356)	1.50 (38)	3.50 (89)
1.5-inch	15.0 (381)	14.0 (356)	2.25 (57)	5.25 (133)
2-inch	15.1 (384)	14.0 (356)	3.50 (89)	7.50 (191)
3-inch	15.7 (399)	14.0 (356)	4.00 (102)	10.00 (254)
4-inch	16.2 (411)	14.0 (356)	4.00 (102)	12.00 (305)
6-inch	17.3 (439)	14.0 (356)	6.00 (152)	18.00 (457)
8-inch	18.3 (465)	14.0 (356)	8.00 (203)	24.00 (610)

NPT Remote—Front View

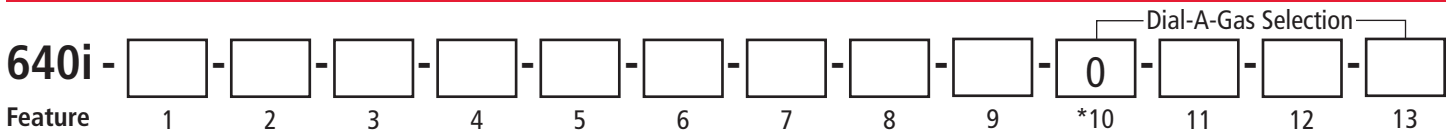


Flange Remote—Front View



Sizes for PN16 DN Flanges				
Size	H	C	L1	L2
DN25	16.3 (414)	14.0 (356)	3.18 (81)	7.40 (188)
DN40	17.0 (432)	14.0 (356)	3.61 (92)	7.40 (188)
DN50	17.2 (437)	14.0 (356)	3.34 (85)	7.10 (180)
DN80	17.9 (455)	14.0 (356)	4.14 (105)	10.20 (259)
DN100	18.3 (465)	14.0 (356)	4.57 (116)	12.60 (320)
DN150	19.6 (498)	14.0 (356)	6.77 (172)	18.90 (480)
DN200	20.7 (526)	14.0 (356)	8.47 (215)	24.40 (620)

ORDERING THE 640i INSERTION



Instructions: To order a 640i, please fill in each feature number block by selecting the codes from the corresponding features below.

*Feature 10 is air (always included)

Feature 1: Multivariable	
VT	Thermal Insertion Mass Flow Meter; all 316L stainless steel construction; linear 4-20 mA output signals for Mass Flow Rate and Temperature; temperature range -40°F to 392°F (-40°C to 200°C); pressure to 500 psia (34.5 bara); standard accuracy (air) +/- 0.75% of reading above 50% of full scale flow and +/- 0.75% of reading plus 0.5% of full scale below 50% of full scale flow; 24 VDC +/- 10.0% or 100-240 VAC input power; configurable alarm and pulse outputs; CE approval, FM Approved
VTP	Add a pressure output to the 640i VT version; three analog 4-20 mA linear outputs for Mass Flow Velocity; includes pressure sensor to 500 psia (34.5 bara)

Feature 2: Approvals	
FM	Class 1, Div 1, Groups B, C, D Approved
NAA	Non-Agency Approved

Feature 3: Probe Length	
L06	6 inch (15 cm)
L09	9 inch (23 cm)
L13	13 inch (33 cm)
L18	18 inch (46 cm)
L24	24 inch (61 cm)
L36	36 inch (92 cm)
L48	48 inch (122 cm)
L()	Specify length in () over 48 inches (122 cm); maximum probe length 72 inches; FM version 48 inches maximum
L() M5 adder	Probe with 1-inch ANSI class 150 flange; specify length in parenthesis

Feature 4: Mounting Formation Accessories	
M0	Customer to supply own mounting hardware
M1	Compression fitting, 3/4-inch (2 cm) with 1-inch (2.5 cm) male NPT
M1-M2()	Compression fitting, 3/4-inch (2 cm) probe feed through by 1-inch (2.5 cm) male NPT which threads into tapped hole; specify pipe O.D. in parenthesis
M3	Flat duct bracket, 3/4-inch (2 cm) tube compression fitting
M4()	Curved duct bracket, 3/4-inch (2 cm) tube compression fitting; specify duct O.D. in parentheses
M8()	Low pressure hot tap, includes ball valve and packing gland; specify duct O.D. in parentheses
M9	High pressure hot-tap retractor
M15()	Quick removal hot-tap, includes ball valve and compression fitting; specify duct O.D. in parentheses; doesn't include packing gland

Feature 5: Electronics Enclosure	
E2	Hazardous-area location enclosure NEMA 4X (IP66) mounted directly on probe
E4()	Remote hazardous-area location enclosure, includes NEMA 4 (IP66) junction box; specify cable length in parenthesis

Note: VTP not available on remotes

Feature 6: Input Power	
P2	24 VDC +/- 10.0%
P3	100-240 VAC

Feature 7: Output	
V4	Two linear 4-20mA outputs for T and mass flow rate
V6 (VTP only)	Three linear 4-20mA outputs for T, P, and mass flow rate

Feature 8: Display	
DD	UltraBright, local LCD digital display indicates mass flow rate, T, P and totalized mass in engineering units
NR	No readout

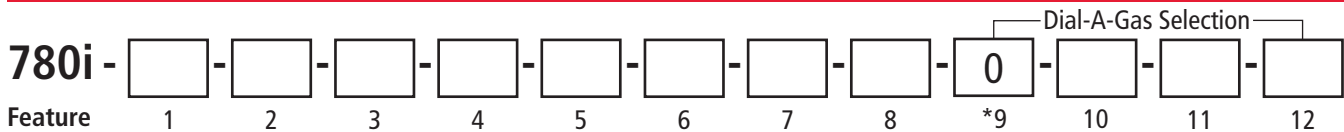
Feature 9: Pressure	
MP1	30 psia (2.1 bara), VTP only
MP2	100 psia (6.9 bara), VTP only
MP3	300 psia (20.7 bara), VTP only
MP4	500 psia (34.5 bara), VTP only

Note: Put N/A in feature block 9 for VT or E4 meters

Feature 10 Through 13: qTherm Dial-A-Gas		
Choose three gases in addition to air:		
Gas	Actual Gas Code	Dial-A-Gas Code
Air	0	0
Argon	1A	1
Carbon Dioxide	2A	2
Chlorine	N/A	3
Digester Gas (60% CH₄, 40% CO₂)	4A	4
Helium	6A	6
Hydrogen	7A	7
Methane	8A	8
Nitrogen	10A	10
Oxygen	N/A	11
Propane	12A	12
Other—Consult Factory	99	99

Note: See Table 1 qTherm Dial-A-Gas Selection Chart on page 5 to choose your three gases in addition to air and calibration accuracy.

ORDERING THE 780i INLINE



Instructions: To order a 780i, please fill in each feature number block by selecting the codes from the corresponding features below.

*Feature 9 is air (always included)

Feature 1: Multivariable		Feature 4: Electronics Enclosure	
VT	Inline Thermal Mass Flow Meter with Flow Conditioning; all 316L stainless steel construction; linear 4-20 mA output signals for Mass Flow Rate and Temperature; temperature range -40°F to 392°F (-40°C to 200°C) and pressure to 500 psia (34.5 bara); standard accuracy +/- 0.5% of reading above 50% of full scale flow and +/- 0.5% of reading plus 0.5% of full scale below 50% of full scale flow; 24 VDC +/- 10.0% or 100-240 VAC input power; configurable alarm and pulse outputs; CE approval, FM Approved	E2	Hazardous-area location enclosure NEMA 4X (IP66) mounted directly on probe
VTP	Add a pressure output to the 780i VT version; three analog 4-20 mA linear outputs for Mass Flow Rate; includes pressure sensor to 500 psia (34.5 bara)	E4()	Remote hazardous-area location enclosure, includes NEMA 4 (IP66) junction box; specify cable length in parenthesis
		Note: VTP not available on remotes	
Feature 2: Approvals		Feature 5: Input Power	
FM	Class 1, Div 1, Groups B, C, D Approved	P2	24 VDC +/- 10.0%
NAA	Non-Agency Approved	P3	100-240 VAC
Feature 3: Inline Flow Bodies with Flow Conditioning		Feature 6: Output	
N2	1/2-inch (1 cm) NPT male 316 SS	V4	Two linear 4-20mA outputs for T and mass flow rate
N3	3/4-inch (2 cm) NPT male 316 SS	V6 (VTP only)	Three linear 4-20mA outputs for T, P, mass flow rate
N4	1-inch (2.5 cm) NPT male 316 SS		
N5	1.5-inch (4 cm) NPT male 316 SS	Feature 7: Display	
N6	2-inch (5 cm) NPT male 316 SS	DD	UltraBright, local LCD display indicates mass flow rate, T, P and totaled mass in engineering units
N7	3-inch (8 cm) NPT male 316 SS	NR	No readout
N8	4-inch (10 cm) NPT male 316 SS		
N9	6-inch (15 cm) NPT male 316 SS	Feature 8: Pressure	
N10	8-inch (20 cm) NPT male 316 SS	MP1	30 psia (2.1 bara), VTP only
F2	1/2-inch ANSI class 150 flange 316 SS	MP2	100 psia (6.9 bara), VTP only
F3	3/4-inch ANSI class 150 flange 316 SS	MP3	300 psia (20.7 bara), VTP only
F4	1-inch ANSI class 150 flange 316 SS	MP4	500 psia (34.5 bara), VTP only
F5	1.5-inch ANSI class 150 flange 316 SS	Note: Put N/A in feature block 8 for VT or E4 meters	
F6	2-inch ANSI class 150 flange 316 SS	Feature 9 Through 12: qTherm Dial-A-Gas	
F7	3-inch ANSI class 150 flange 316 SS	Choose three gases in addition to air:	
F8	4-inch ANSI class 150 flange 316 SS	Gas	Actual Gas Code
F9	6-inch ANSI class 150 flange 316 SS	Air	0
F10	8-inch ANSI class 150 flange 316 SS	Argon	1A
FD4	DN25, PN16, flange	Carbon Dioxide	2A
FD5	DN40, PN16, flange	Chlorine	N/A
FD6	DN50, PN16, flange	Digester Gas (60% CH ₄ , 40% CO ₂)	4A
FD7	DN80, PN16, flange	Helium	6A
FD8	DN100, PN16, flange	Hydrogen	7A
FD9	DN150, PN16, flange	Methane	8A
FD10	DN200, PN16, flange	Nitrogen	10A
		Oxygen	N/A
		Propane	12A
		Other—Consult Factory	99
Note: See Table 1 qTherm Dial-A-Gas Selection Chart on page 5 to choose your three gases in addition to air and calibration accuracy.			



SIERRA®

www.sierrainstruments.com/quadratherm

NORTH AMERICA

5 Harris Court, Building L / Monterey, CA 93940 / USA
800.866.0200 / 831.373.0200 / fax 831.373.4402

EUROPE

Bijlmansweid2 / 1934RE Egmond aan den Hoef / The Netherlands
+31 72 5071400 / fx +31 72 5071401

ASIA - PACIFIC

Second Floor Building 5 / Senpu Industrial Park
25 Hangdu Road Hangtou Town / Pu Dong New District
Shanghai, P.R. China Post Code 201316
+8621 5879 8521/22 / fx +8621 5879 8586